



Peruzzo s.r.l.

Via Meucci 115, 36028 Rossano Veneto (VI)
Tel.0424 / 540006 – Fax 0424 / 541154
C.F. e P.IVA
02601130244

R.E.A. DI VICENZA N. 258626 REG. IMP. VICENZA N° 153814 / 1997

WWW.PERUZZOSRL.IT - WWW.CYCLECARRIER.COM - WWW.TRAIL-ANGEL.COM - WWW.COOLBIKERACK.COM

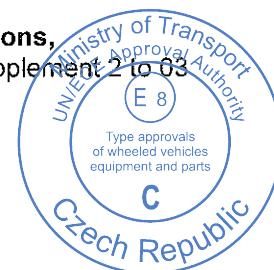


Management System
ISO 9001:2008
www.tuv.com
ID: 9105028635



ECE Regulation n. 26
INFORMATION DOCUMENT
No. 03/2015 Rev.0 dated 09.06.2015

For type approval of a rear bicycle carrier with respect to external projections,
according to ECE R26 dated 28.04.1972 including all amendments up to and including Supplement 2 to 03
series dated 15.07.2013



1. Make (trade name of manufacturer): **Peruzzo**
2. Type: **SIENA**
 - 2.1 Variant: **668** (folding system for n.2 bikes)
668/3 (folding system for n.3 bikes)
668/4 (folding system for n.4 bikes)
669 (fixed system for n.2 bikes)
669/3 (fixed system for n.3 bikes)
 - 2.2 Version: **N/A**
3. Name and address of manufacturer: **Peruzzo S.r.l.**
Via Meucci, 115
36028 Rossano Veneto (VI) - Italy
4. Name and address of assembly plant: **Peruzzo S.r.l.**
Via Meucci, 115
36028 Rossano Veneto (VI) - Italy
5. Technical specification of rack: **Carrier device, fitted on the towing hook with a mechanical clamping mechanism, provided with metallic frame engineered for the transportation of n. 2, 3 or 4 bicycles**
6. Assembly instructions: **See attached fitting instruction and safety rules**
7. Vertical load bearing capacity of the rack: **60 kg, see attached fitting instruction**
8. Technical drawings: **See attached drawings 668-01 to 668-07**
9. Place and kind of marking: **Sticker on the frame**

INFORMATION DOCUMENT	REV. NO.	DATE	Reason of revision
03/2015	0	09.06.2015	First emission

Peruzzo[®] 100% MADE IN ITALY

TRAIL *angel*

Peruzzo s.r.l.

Via Meucci 115, 36028 Rossano Veneto (VI)
Tel. 0424 / 540006 – Fax 0424 / 541154
C.F. e P.IVA
02601130244

R.E.A. DI VICENZA N. 258626 REG. IMP. VICENZA N° 153814 / 1997

WWW.PERUZZOSRL.IT - WWW.CYCLECARRIER.COM - WWW.TRAIL-ANGEL.COM - WWW.COOLBIKERACK.COM



Management System
ISO 9001:2008
www.tuv.com
ID: 9105028635



Confirmation

We hereby declare that the Rear bicycle carrier specimen submitted for this approval test has been manufactured and assembled on conditions of ordinary mass production and it is compatible with enclosed documentation.

Place and date

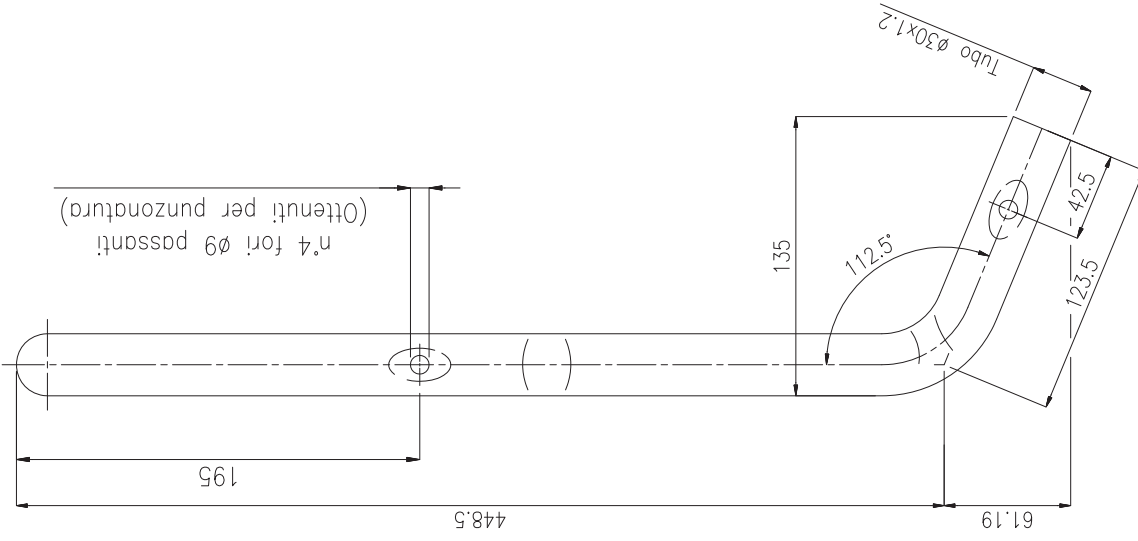
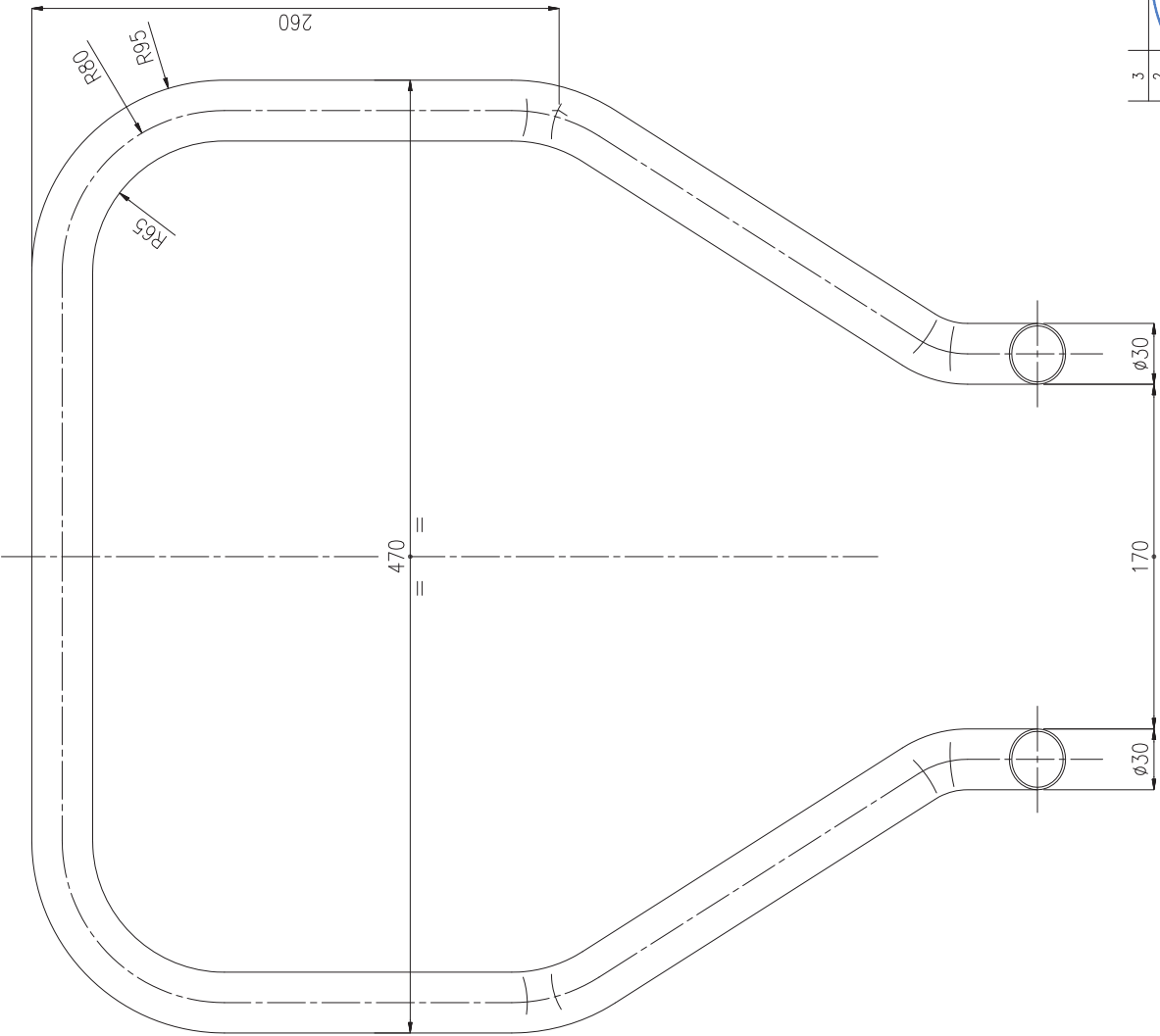
Rossano Veneto, 25.03.2015



Peruzzo s.r.l.

Sede legale e operativa: Via Meucci, 115
36028 ROSSANO VENETO (VI)
Tel. 0424 540006 Fax 0424 541154
Cod. Fisc. - Part. IVA: IT 02601130244

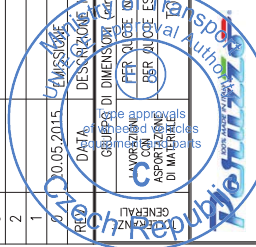
INFORMATION DOCUMENT	REV. NO.	DATE	Reason of revision
03/2015	0	09.06.2015	First emission



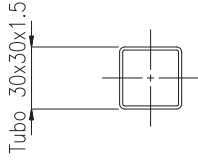
n°4 fori Ø9 passanti
(Ottentuti per punzonatura)

Tubo Ø30x1,2

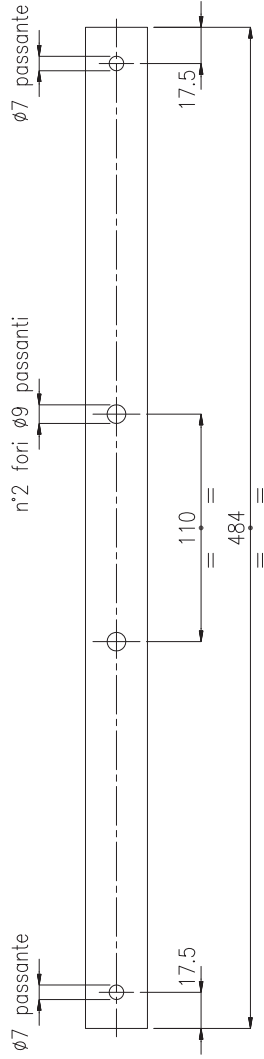
3	01/10/2015	MISSIONE	MODIFICA	ISO CAD	CONTROLLATO				
2									
1									
GRUPPO DI DIMENSIONI		0-6	>6-30	>30-120	>120-315	>315-1000	>1000-2000	>2000-4000	OLTR E 4000
TOLERANZE PER QUOTAZIONE		+0,05	+0,10	+0,15	+0,20	+0,25	+0,30	+0,50	+0,50
TOLERANZE PER QUOTAZIONE ESTERNE		+0	+0	+0	+0	+0	+0	+0	+0
TOLERANZE PER QUOTAZIONE DI MATERIALI		-0,05	-0,10	-0,15	-0,20	-0,25	-0,30	-0,50	-0,50
TOLERANZE GENERALI		SMUSSI NON QUOTATI 0,5x45°							
TOLERANZE PARTICOLARI:		ARCO POGGIABILI							
Scala:		1:2,5							
Indice:		00							
Dimensioni grezze:									
Codice:		668_02							
Materiale:									



Vetruvius
Via Meucci, 115
36028 Rossano Veneto (VI) - ITALY
QUESTO DISEGNO E' PROPRIETA' DI PERUZZO S.r.l. (Rovigo, Veneto, ITALY) E NON PUO' ESSERE RIPRODOTTO O RESO NOTO ANCHE IN PARTE A TERZI SENZA NOSTRA AUTORIZZAZIONE SCRITTA.



Vista LATERALE



Vista da SOPRA

3																			
2																			
1	05.20.2015	MISSIONE																	
PROJ	DATA:	DESCRIZIONE	MODIFICA																
GEN	GRUPPO DI DIMENSIONI	0-6	>30x120	>315x1000	>1000x2000	>2000x4000	OLTRE 4000												
GEN	PER LO SCHE	+0,05	+0,10	+0,15	+0,25	+0,30	+0,50												
GEN	PER LO SCHE	+0	+0	+0	+0	+0	+0												
GEN	PER LO SCHE	-0,05	-0,10	-0,15	-0,25	-0,30	-0,50												
GEN	ASPORTAZIONE																		
GEN	DI MATERIALI																		
										SMUSSI NON QUOTATI 0,5x45°									
										ISO									
										TUBO PER PORTATARGA									
										Scala: 1:2,5									
										Indice: 00									
										Cod: 668_03									
										Dimensioni grezzo:									
										Materiale:									
										36028 Rossano Veneto (VI) - ITALY									

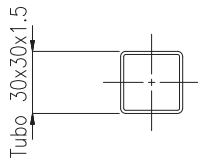
QUESTO DISEGNO È PROPRIETÀ DI PERUZZO S.r.l. (Rovigo, Veneto, ITALY) E NON PUÒ ESSERE RIPRODOTTO O RESO NOTO ANCHE IN PARTE A TERZI SENZA NOSTRA AUTORIZZAZIONE SCRITTA.

427

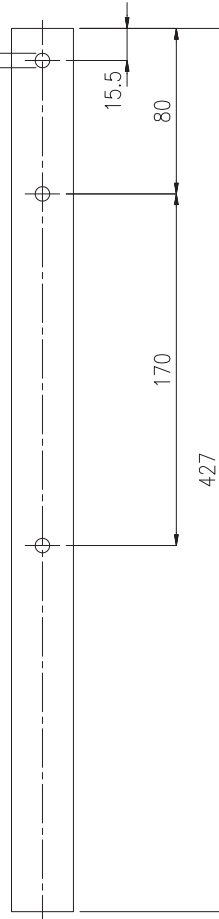
n°1 foro Ø10 passante



Vista LATERALE

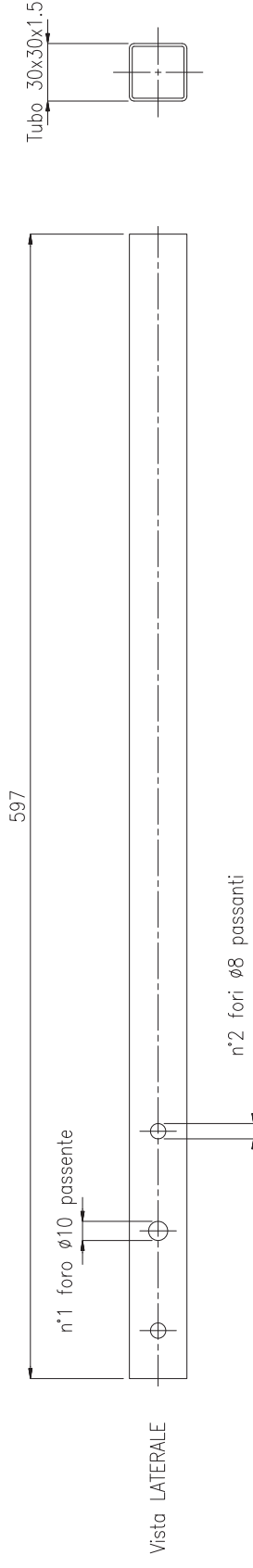


n°3 fori Ø7 passanti

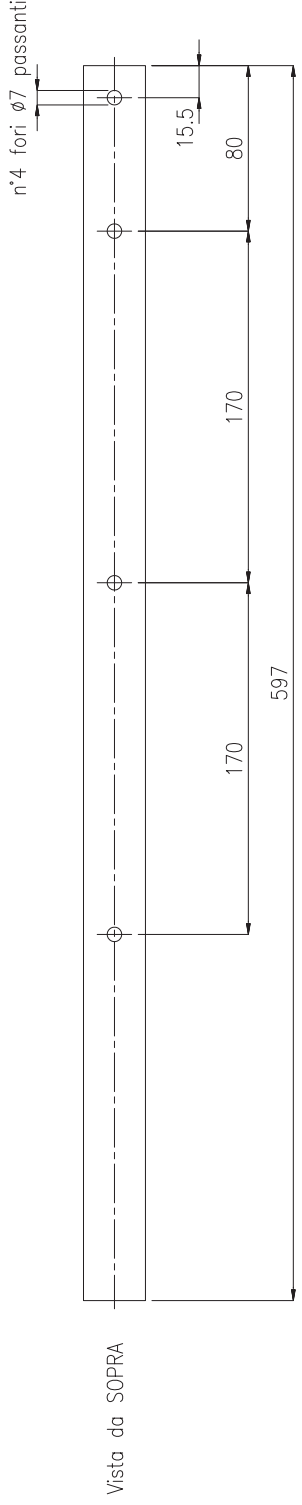


Vista da SOPRA

3		REVISIONI																							
2		DATA:	20.05.2015																						
1		DESCRIZIONE:	MODIFICA																						
		GRUPPO DI DIMENSIONI (cm)	0÷6	>6÷30	>30÷120	>120÷315	>315÷1000	>1000÷2000	>2000÷4000	OLTRE 4000	IsoCAD			DISEGNATO		CONTROLLATO									
		PER LO SCHEMATISMO	+0,05	+0,10	+0,15	+0,25	+0,30	+0,50	+0,50	+0,50															
		PER LE QUOTE ESTERNE	+0	+0	+0	-0,05	-0,10	-0,15	-0,20	-0,25															
		ASPORTAZIONE DI MATERIALE	-0,05	-0,10	-0,15	-0,25	-0,30	-0,50	-0,50	-0,50															
		SMUSSI NON QUOTATI																							
		SMUSSI 0,5x45°																							
PARTICOLARE:																									
															TUBO PORTANTE			Scala:		1:2,5		Indice:		00	
															VERSIONE 2 BICI										
															Dimensioni grezzo:					Cod:		668_04			
															Materiale:										



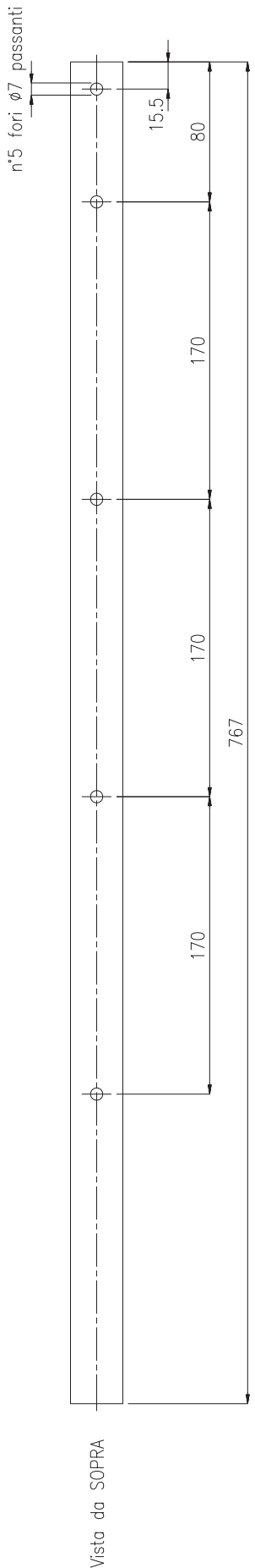
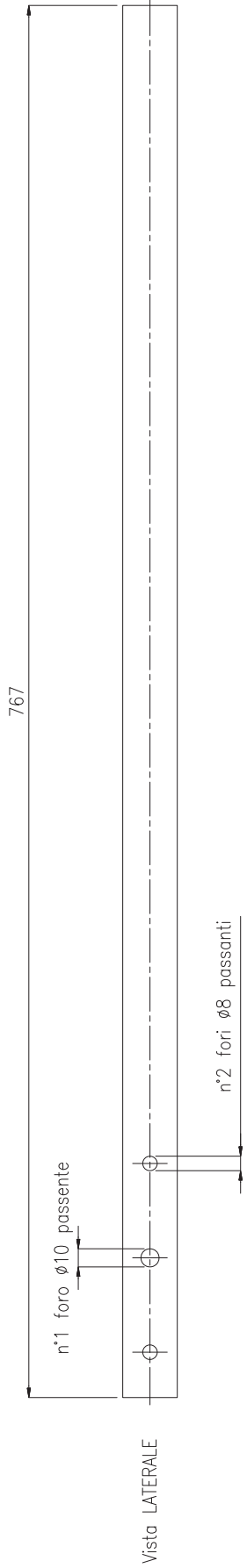
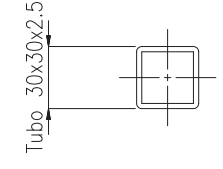
Vista LATERALE



Vista da SOPRA

3													
2													
1	05/10/2015	MISSIONE											
	DATA:	DESCRIZIONE	MODIFICA	ISO CAD		DISEGNATO	CONTROLLATO						
	GRUPPO DI DIMENSIONI	0-6	>8+30	>120+315	>315+1000	>1000+2000	>2000+4000	OLTRE 4000					
	PER FORI INTERNE	+0,05	+0,10	+0,15	+0,30	+0,50	+0,50	+0,50					
	PER FORI ESTERNE	+0	+0	+0	+0	+0	+0	+0					
	ASPORTAZIONE	-0,05	-0,10	-0,15	-0,30	-0,50	-0,50	-0,50					
	DI MATERIALI:	SMUSSI NON QUOTATI											
		0,5x45											
		PARTICOLARE:											
		TUBO PORTANTE											
		VERSIONE 3 BICI											
											Scala:	Indice:	
											1:2,5	00	
											Cod:		668 05
											Dimensioni grezzo:		
											Material:		

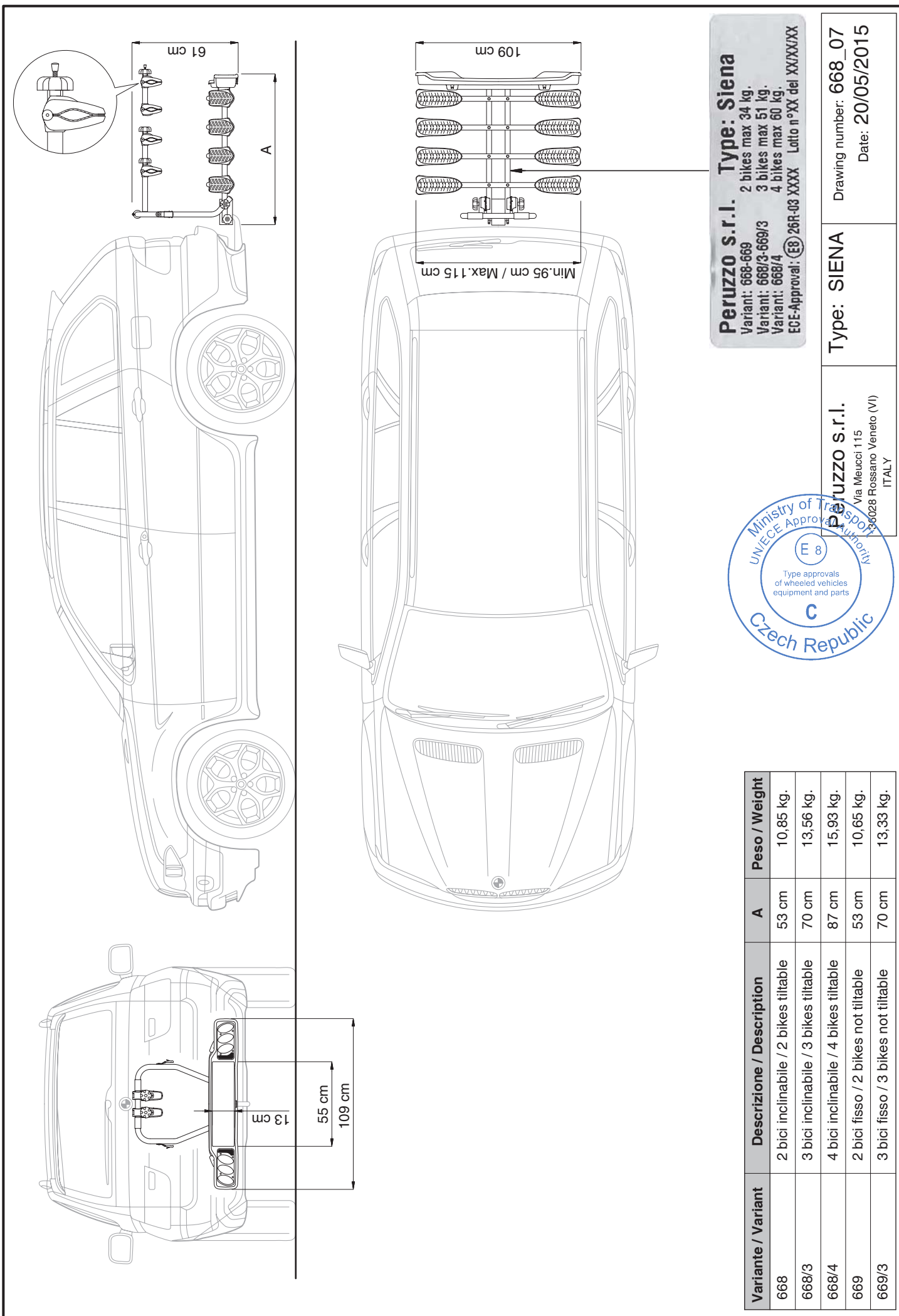
QUESTO DISEGNO E' PROPRIETA' DI PERUZZO S.r.l. (Rovigo Veneto, ITALY) E NON PUO' ESSERE RIPRODOTTO O RESO NOTO ANCHE IN PARTE A TERZI SENZA NOSTRA AUTORIZZAZIONE SCRITTA.



3																					
2																					
1	01.10.05.2015	CEMISSIONE																			
	PRODOTTORE	DATA	DESCRIZIONE	MODIFICA	ISO CAD	DISEGNATO	CONTROLLATO														
	GRUPPO DI DIMENSIONI							>2000+4000	OLTR E 4000												
	PER FORI BOLLERIE							>1000+2000													
	PER FORI ESTERNE							>315+1000													
	PER FORI ESTERNE							+0,30													
	ASPORTAZIONE							+0,50													
	DI MATERIALI							-0,50													
	SMUSSI NON QUOTATI							-0,50													
	0,5x45								ISO												
									TUBO PORTANTE												
									Scala: 1:2,5												
									Indice: 00												
									VERSIONE 4 BICI												
									Cod: 668_06												
									Dimensioni grezzo:												
									Materiale:												



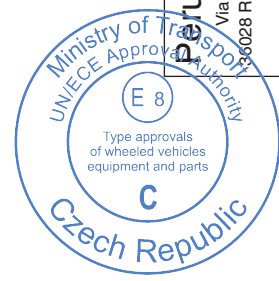
36028 Rossano Veneto (VI) - ITALY
Via Meucci, 115



Peruzzo s.r.l. Type: Siena
 Variant: 668-669 2 bikes max 34 kg.
 Variant: 668/3-669/3 3 bikes max 51 kg.
 Variant: 668/4 4 bikes max 60 kg.
 ECE-Approval: (E8) 26R-03 XXXX Lotto n° XX del XXX/XX

Type: SIENA
 Drawing number: 668_07
 Date: 20/05/2015

Peruzzo s.r.l.
 Via Meucci 115
 36028 Rossano Veneto (VI)
 ITALY



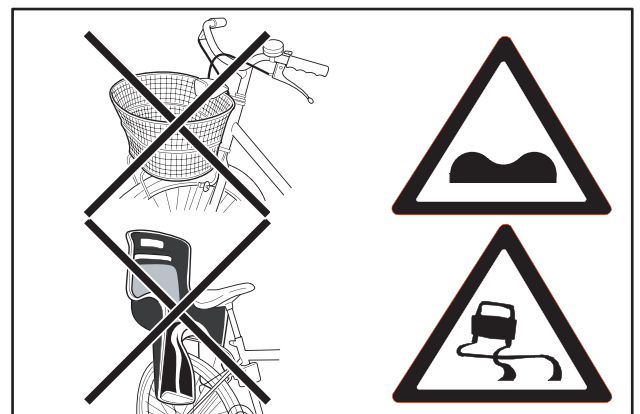
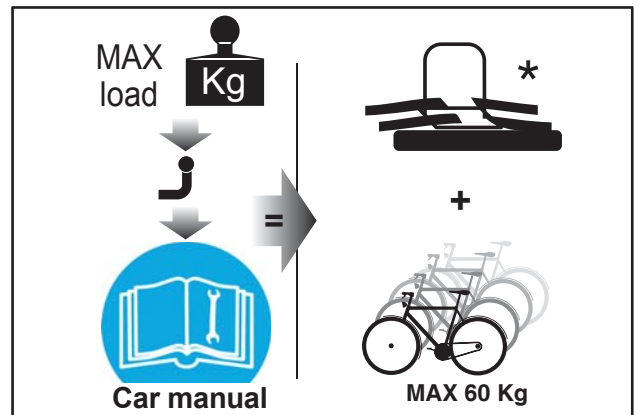
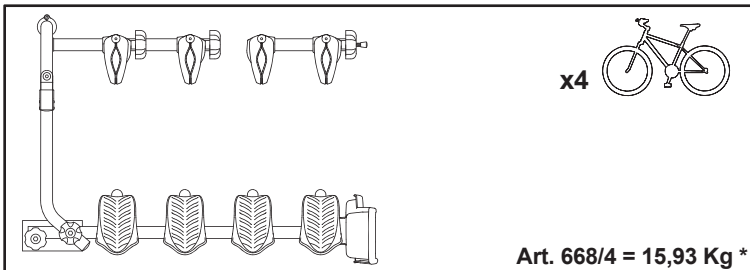
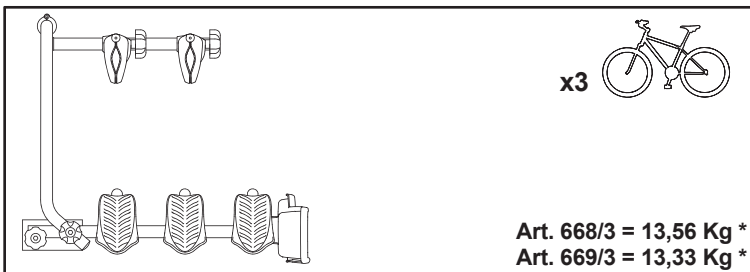
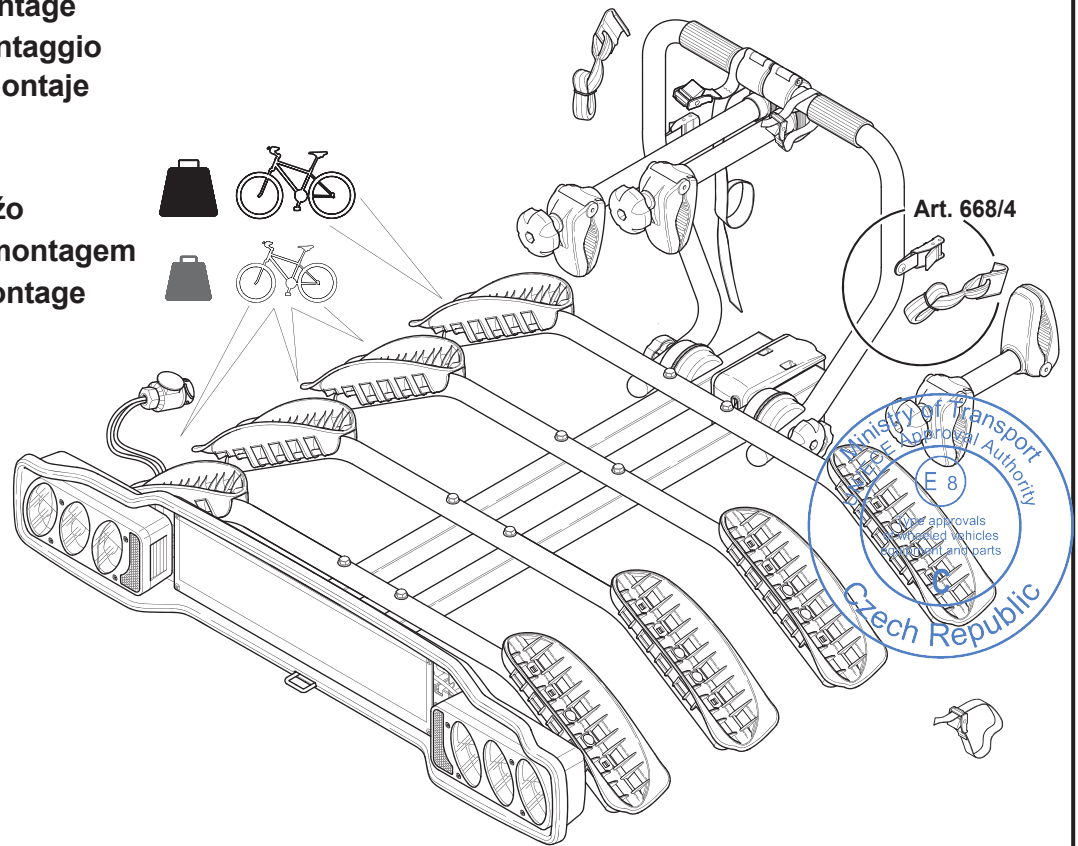
Variante / Variant	Descrizione / Description	A	Peso / Weight
668	2 bici inclinabile / 2 bikes tiltable	53 cm	10,85 kg.
668/3	3 bici inclinabile / 3 bikes tiltable	70 cm	13,56 kg.
668/4	4 bici inclinabile / 4 bikes tiltable	87 cm	15,93 kg.
669	2 bici fisso / 2 bikes not tiltable	53 cm	10,65 kg.
669/3	3 bici fisso / 3 bikes not tiltable	70 cm	13,33 kg.

SIENA

Art. 668 - 668/3 - 668/4
Art. 669 - 669/3

THE REAR CYCLE RACK FOR MOUNTING ON TOW BAR
HINTERRADFAHRRADTRÄGER ZUR MONTAGE AUF DER ANHÄNGERKUPPLUNG
PORTE VELOS ARRIERE POUR DISPOSITIF D'ATTELAGE
PORTABICICLI POSTERIORE GANCIO DI TRAINO
PORTA BICICLETA PARA APLICAR A LA BOLA DE REMOLQUE
BAGAŻNIK ROWEROWY NA HAK HOLOWNICZY
ZADNI NOSIČ JIŽDNÍCH KOL PRO MONTÁŽ NA TAŽNÉ ZAŘÍZENÍ
NOSILEC KOLES NA VLEČNÍ KLJUKI
PORTACICLO TRASEIRO PARA O GANCHO DE TRACÇÃO
FIETSENHOUDER VOOR ACHTERAAN OP TREKHAAK

- GB** Fitting instructions
- D** Montageanleitung
- F** Instructions de montage
- I** Istruzioni per il montaggio
- E** Instrucciones de montaje
- PL** Instrukcja montażu
- CZ** Návod na montáž
- SLO** Navodila za montažo
- PT** Instruções para a montagem
- NL** Instructies voor montage



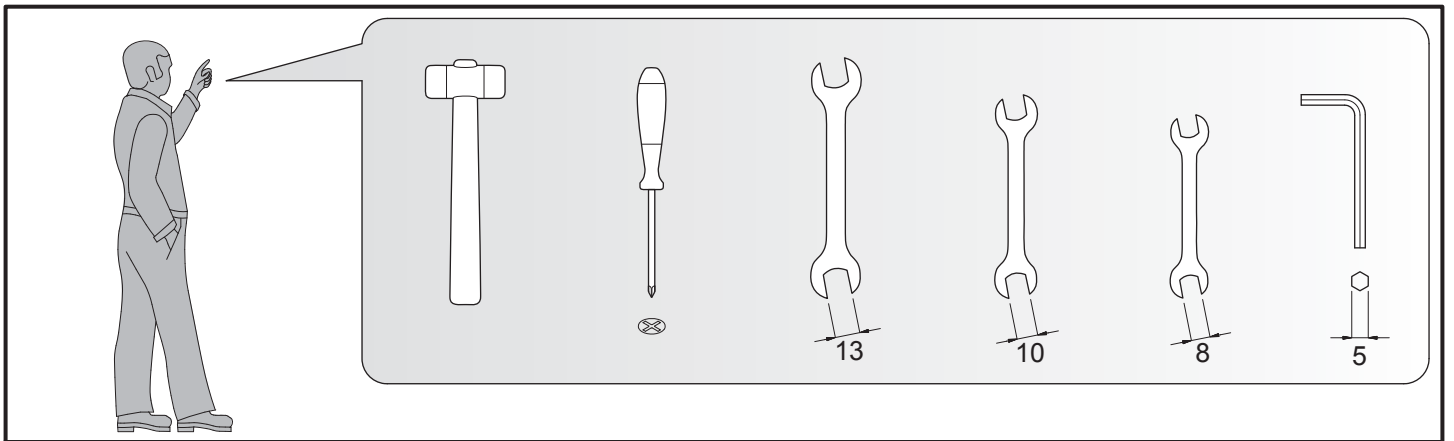


Fig. A

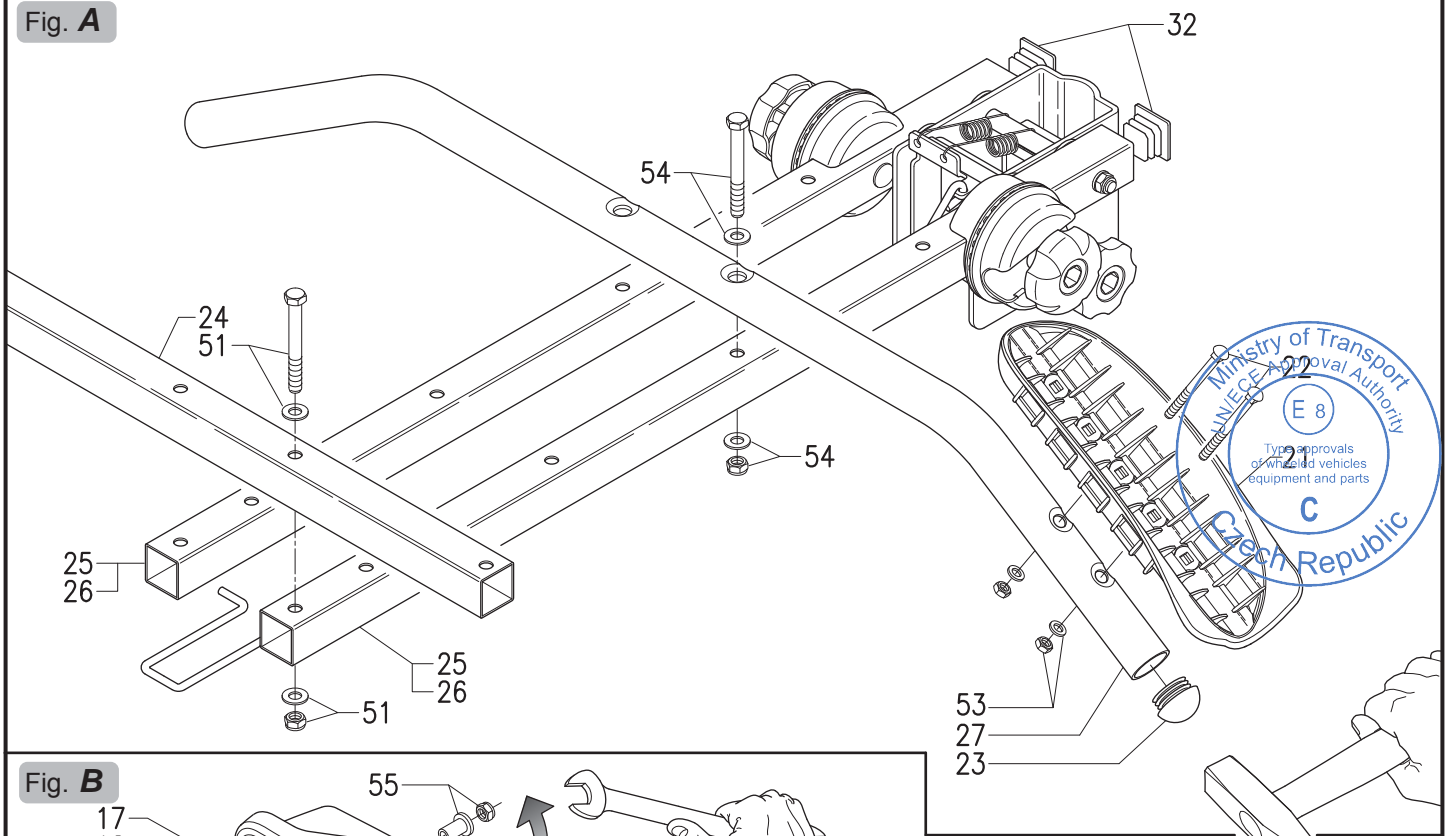


Fig. B

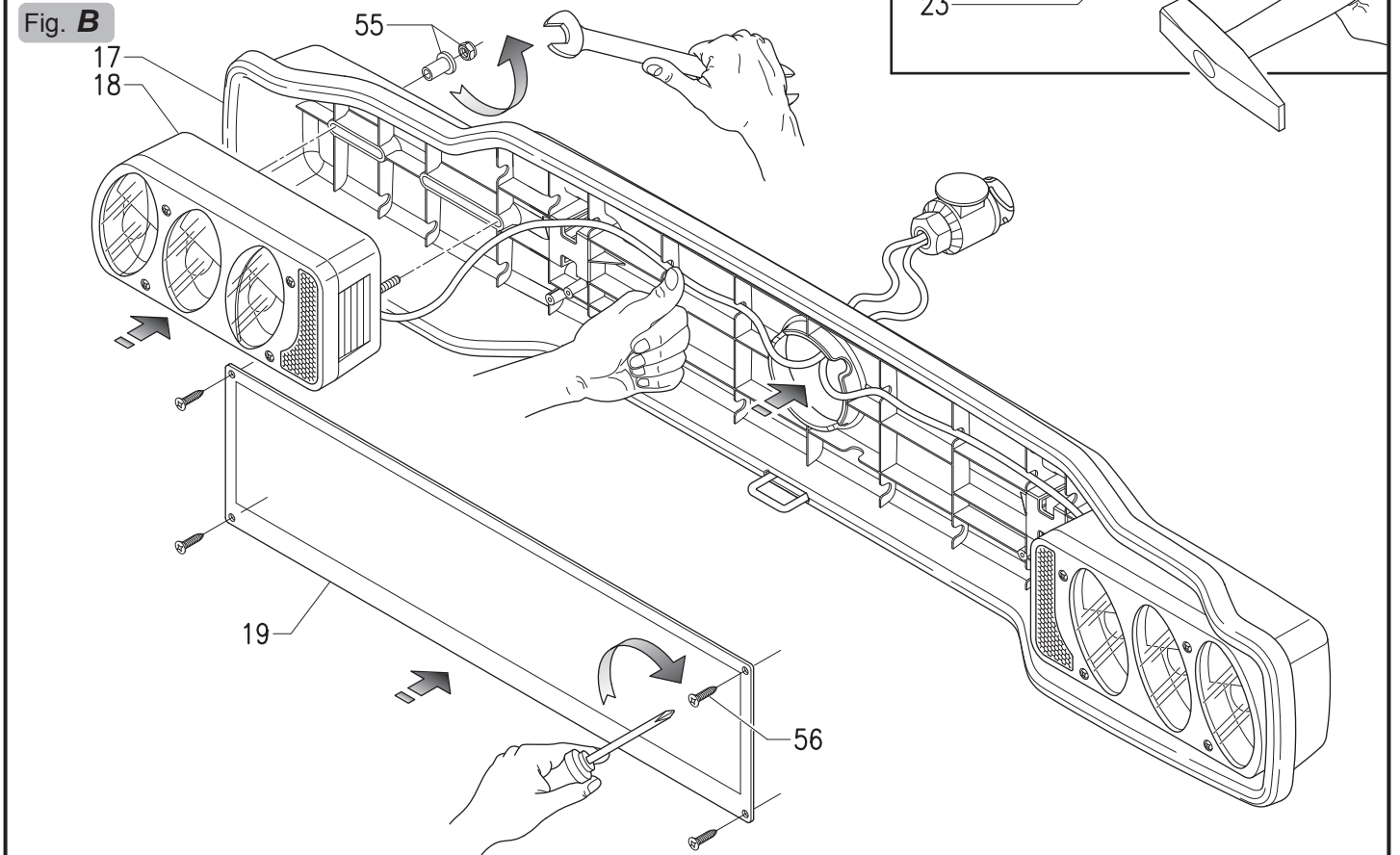


Fig. C

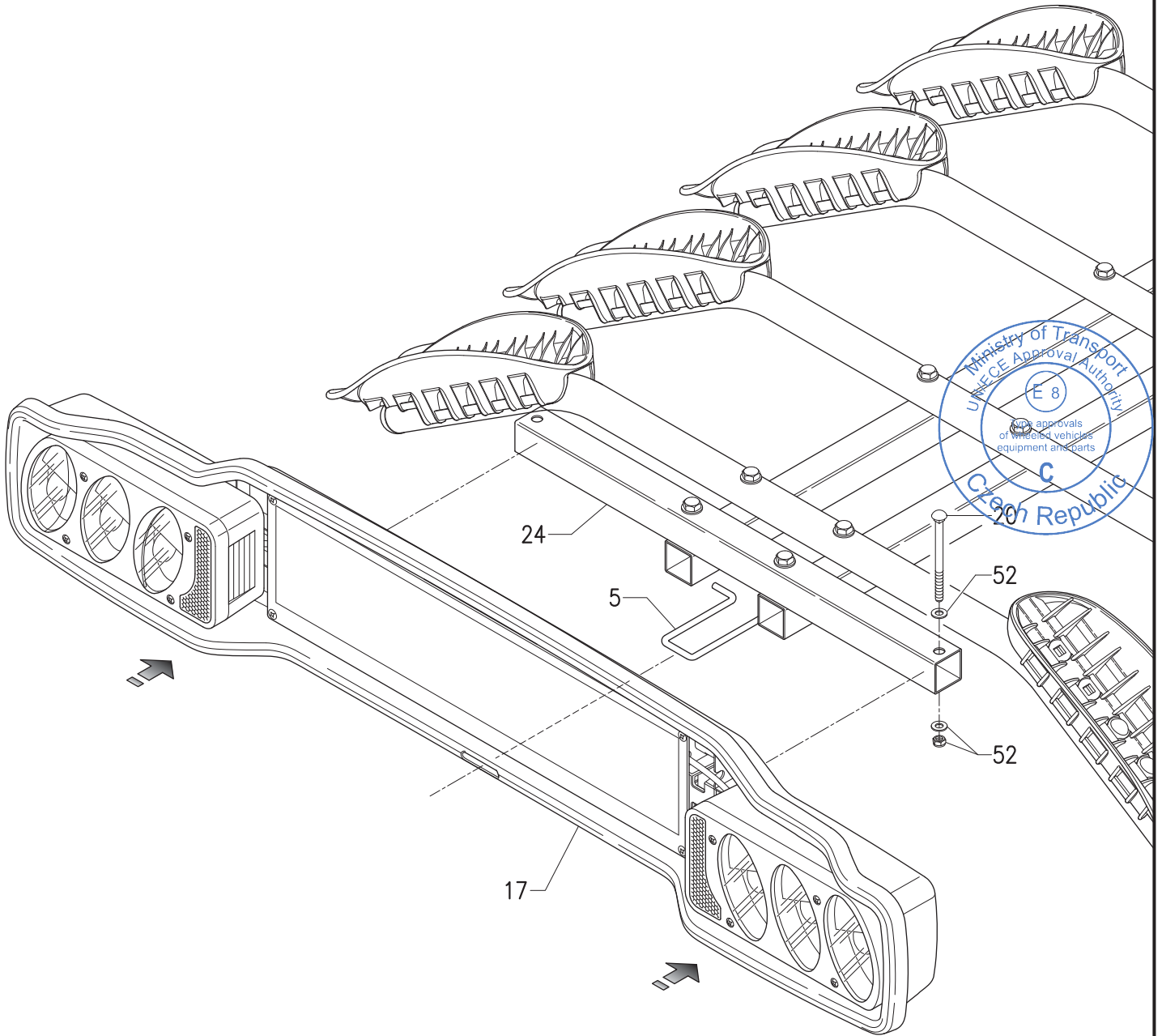


Fig. D1

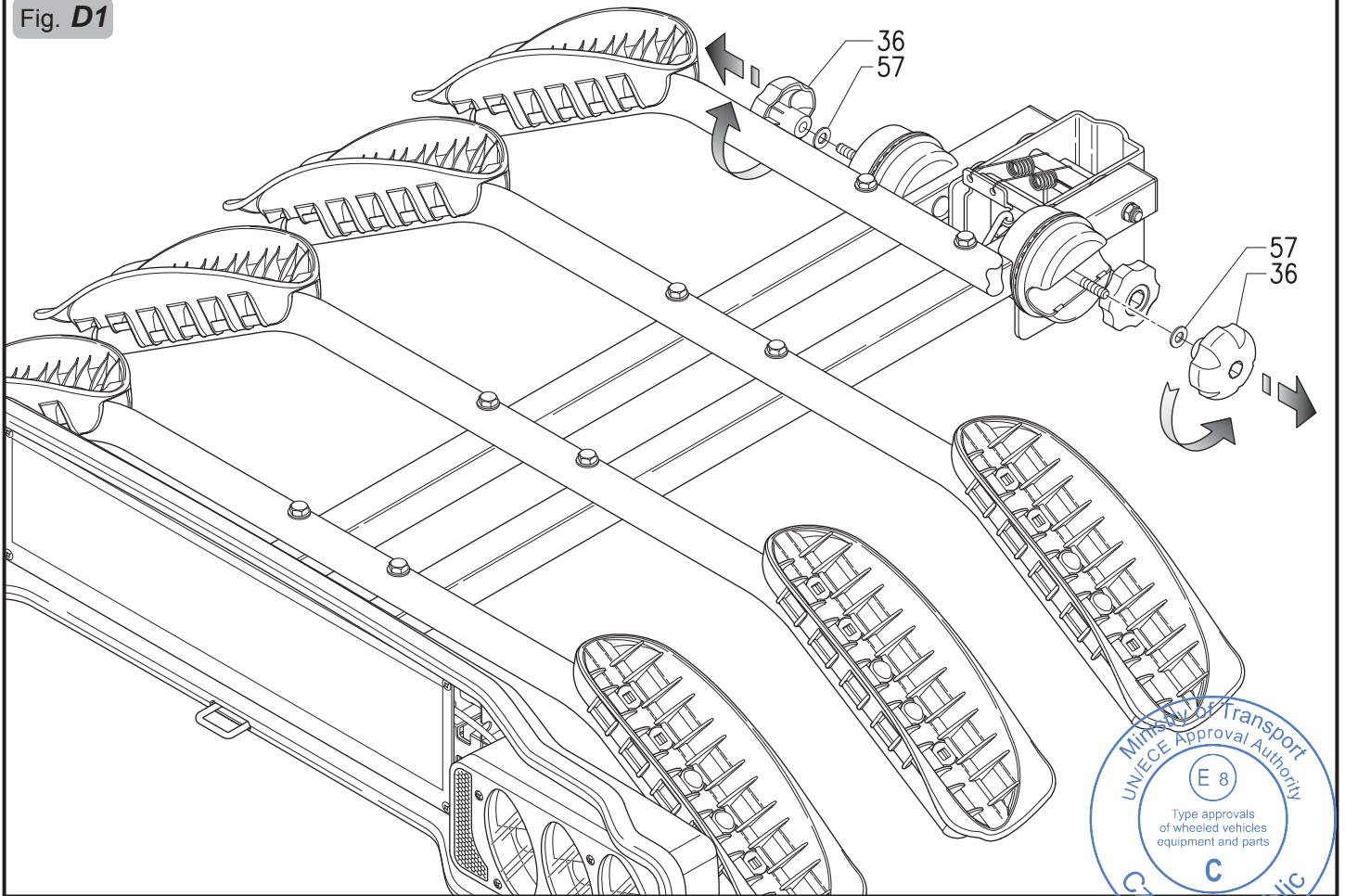


Fig. D2

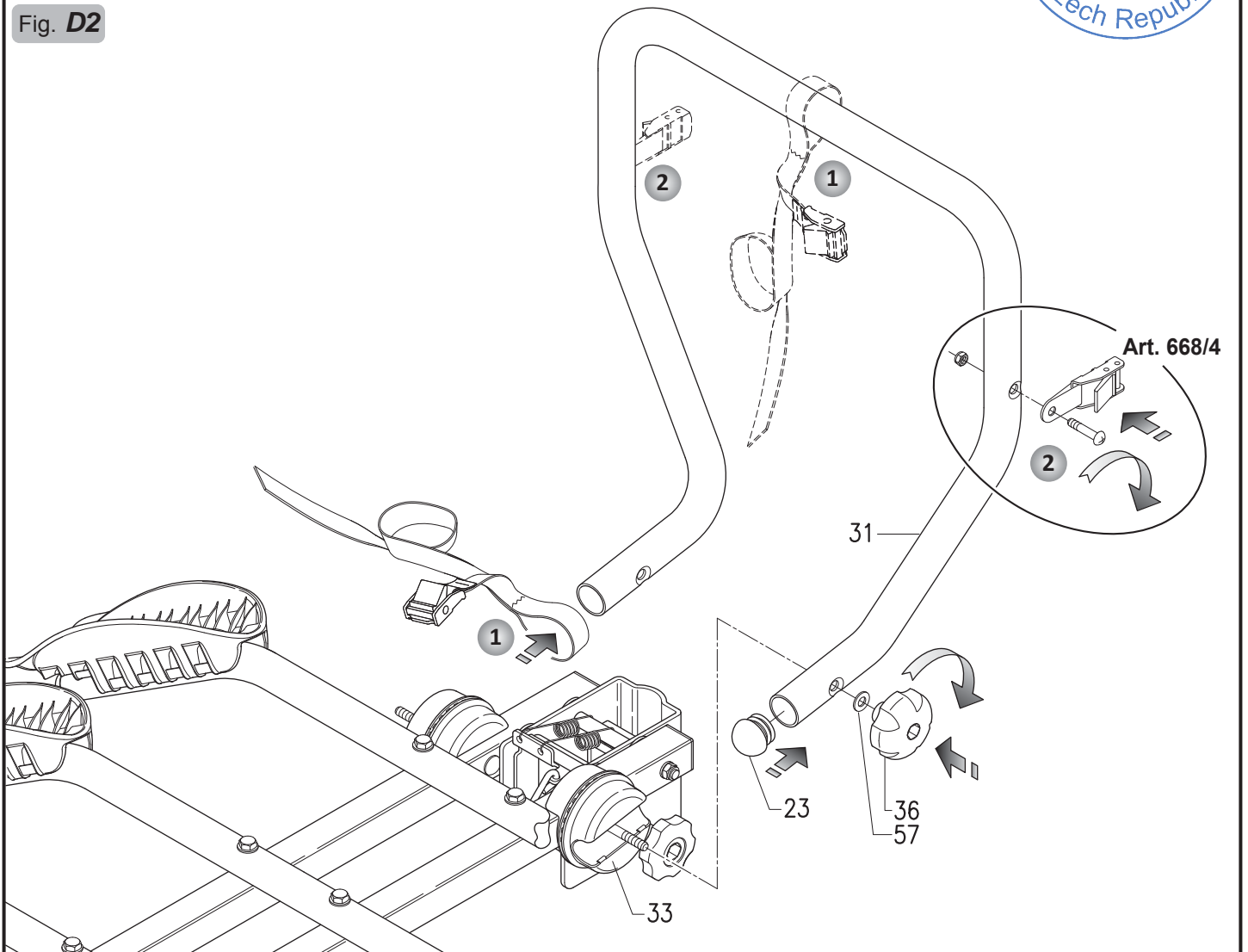


Fig. E

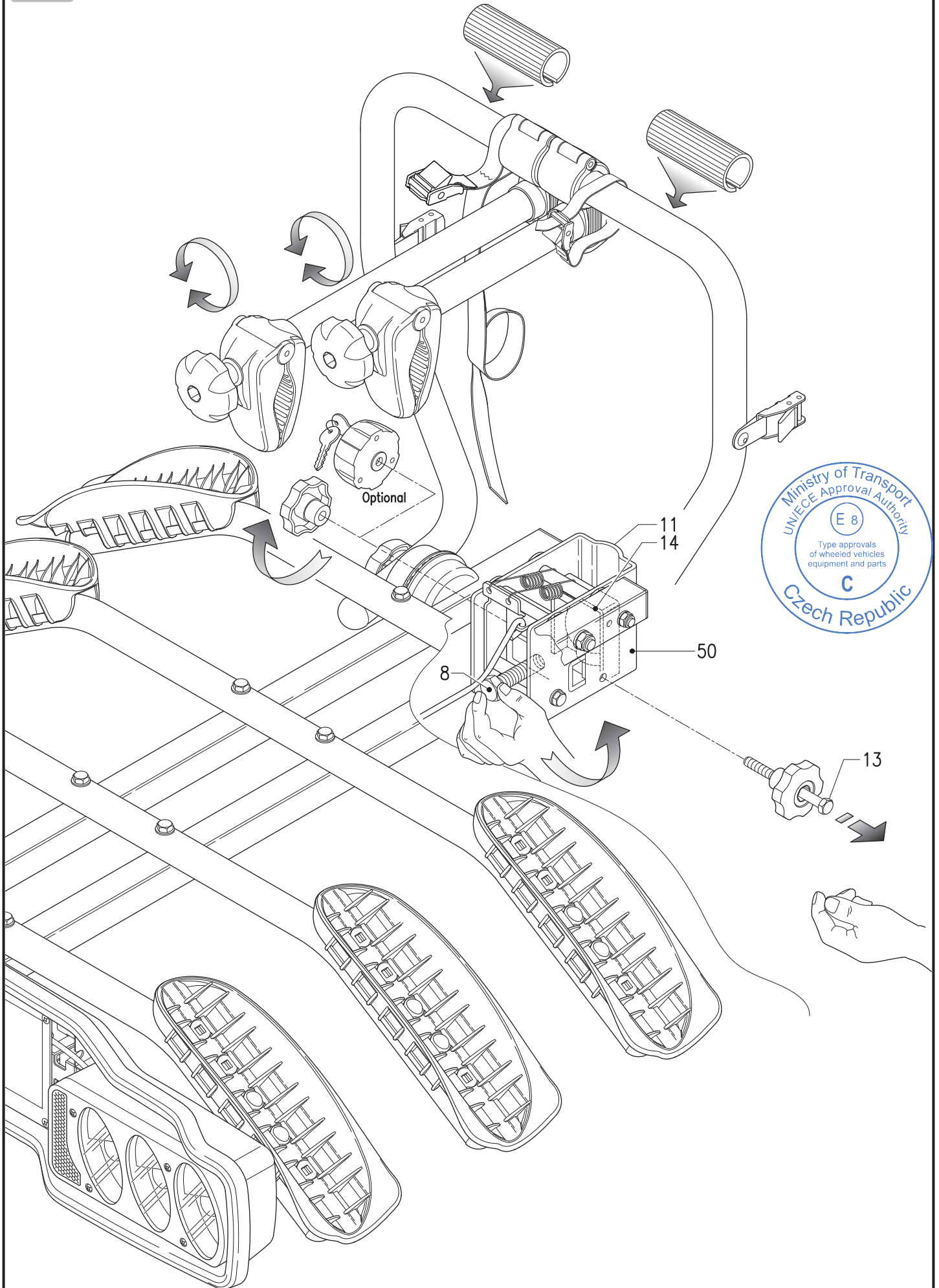
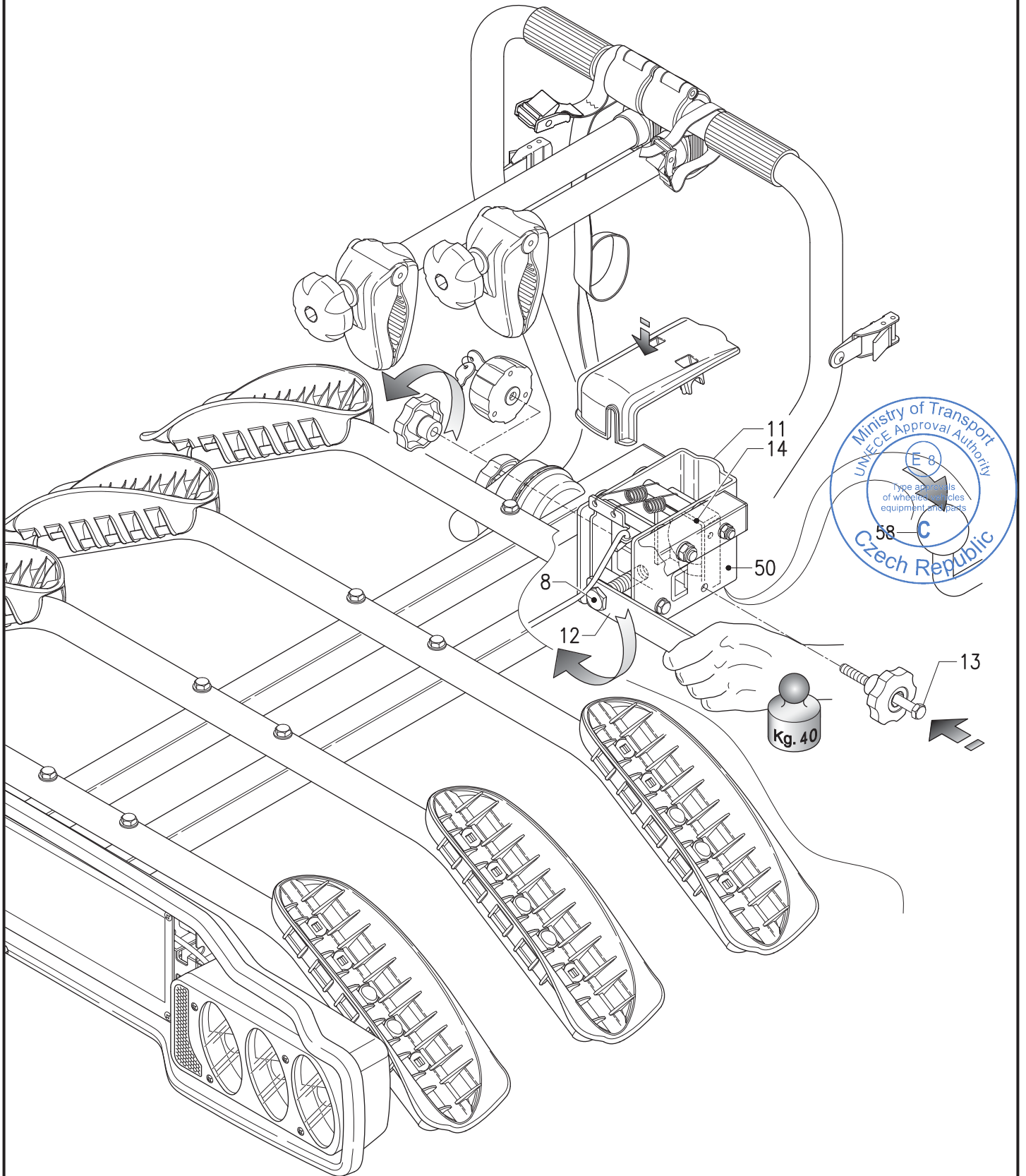


Fig. F



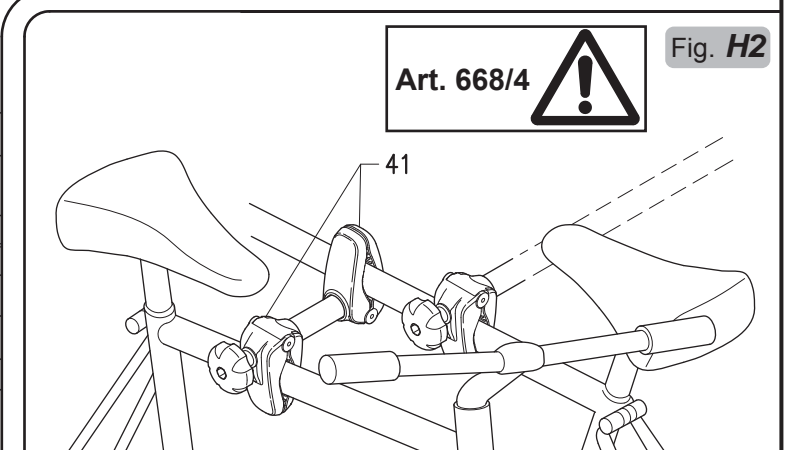
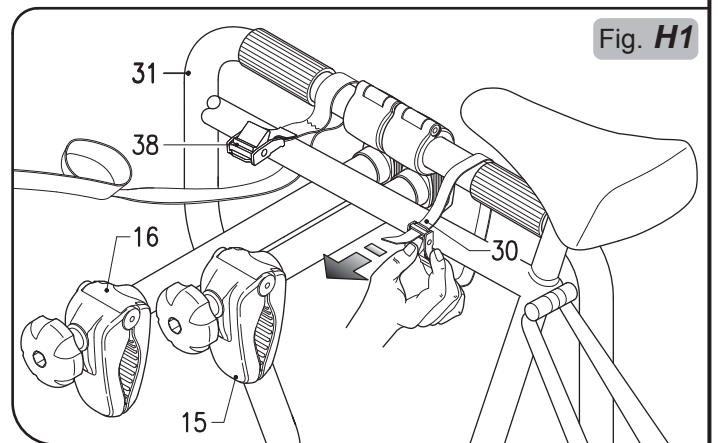
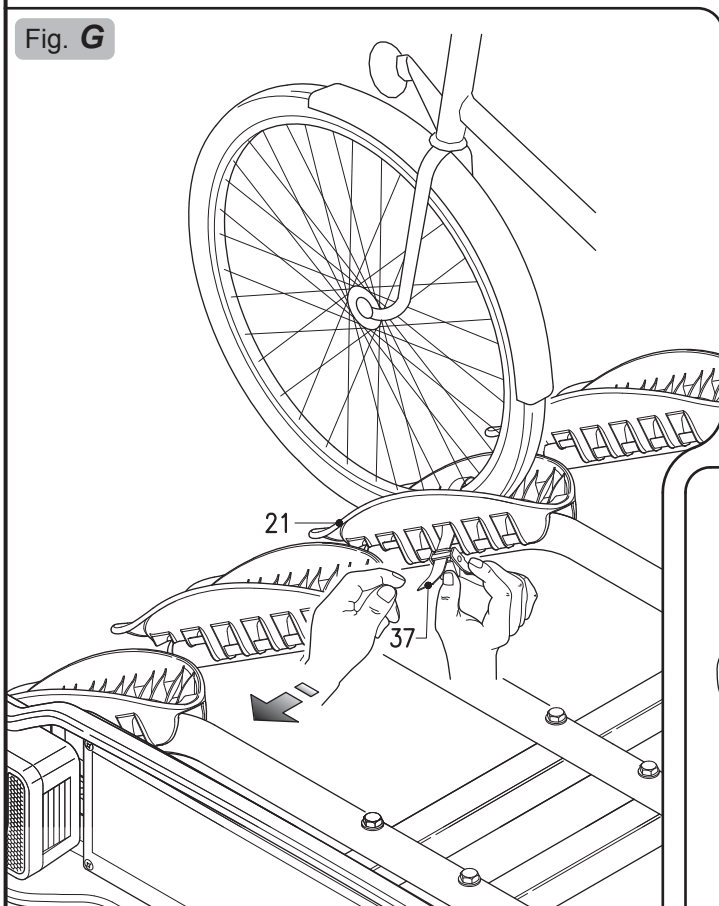
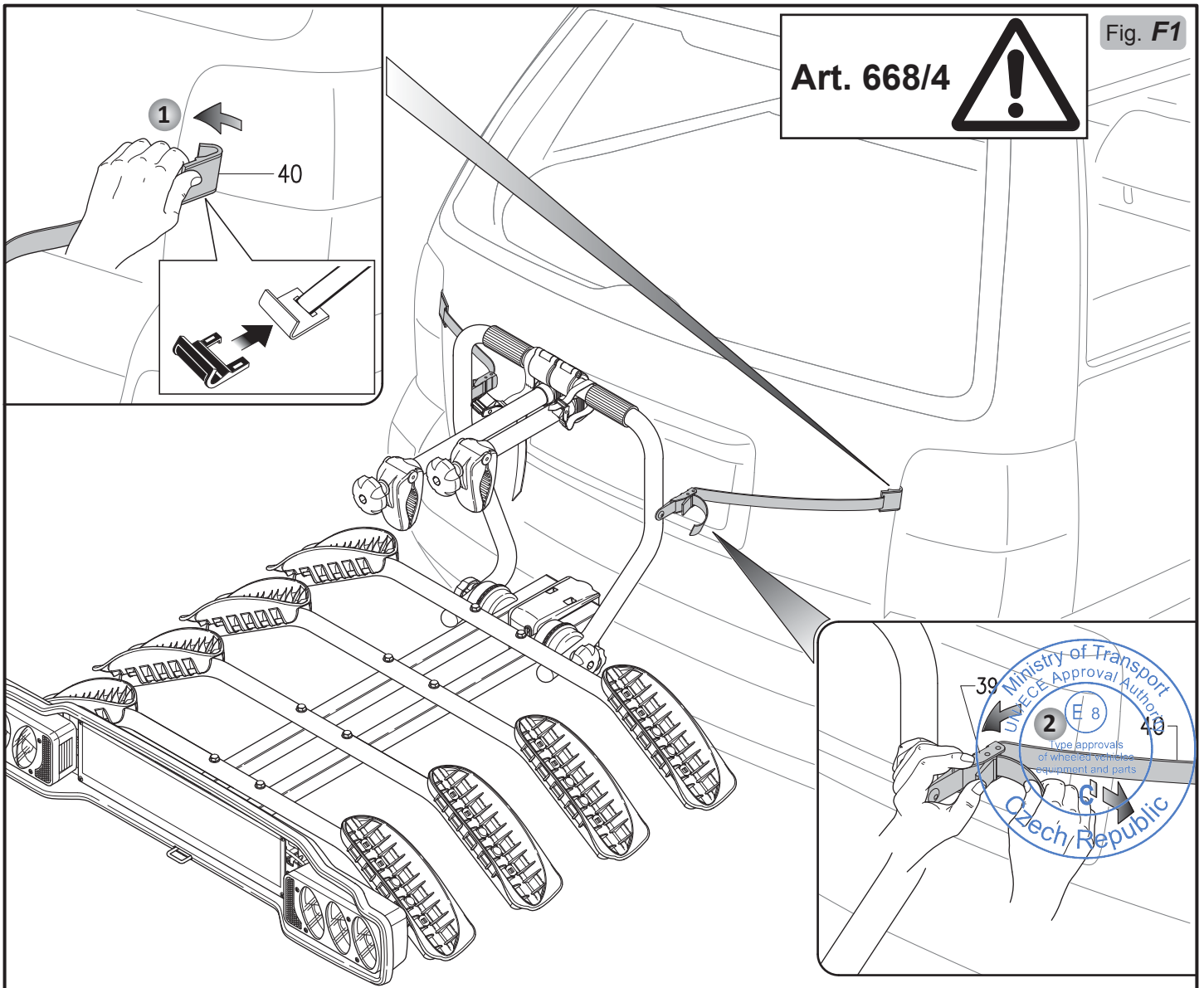


Fig. I

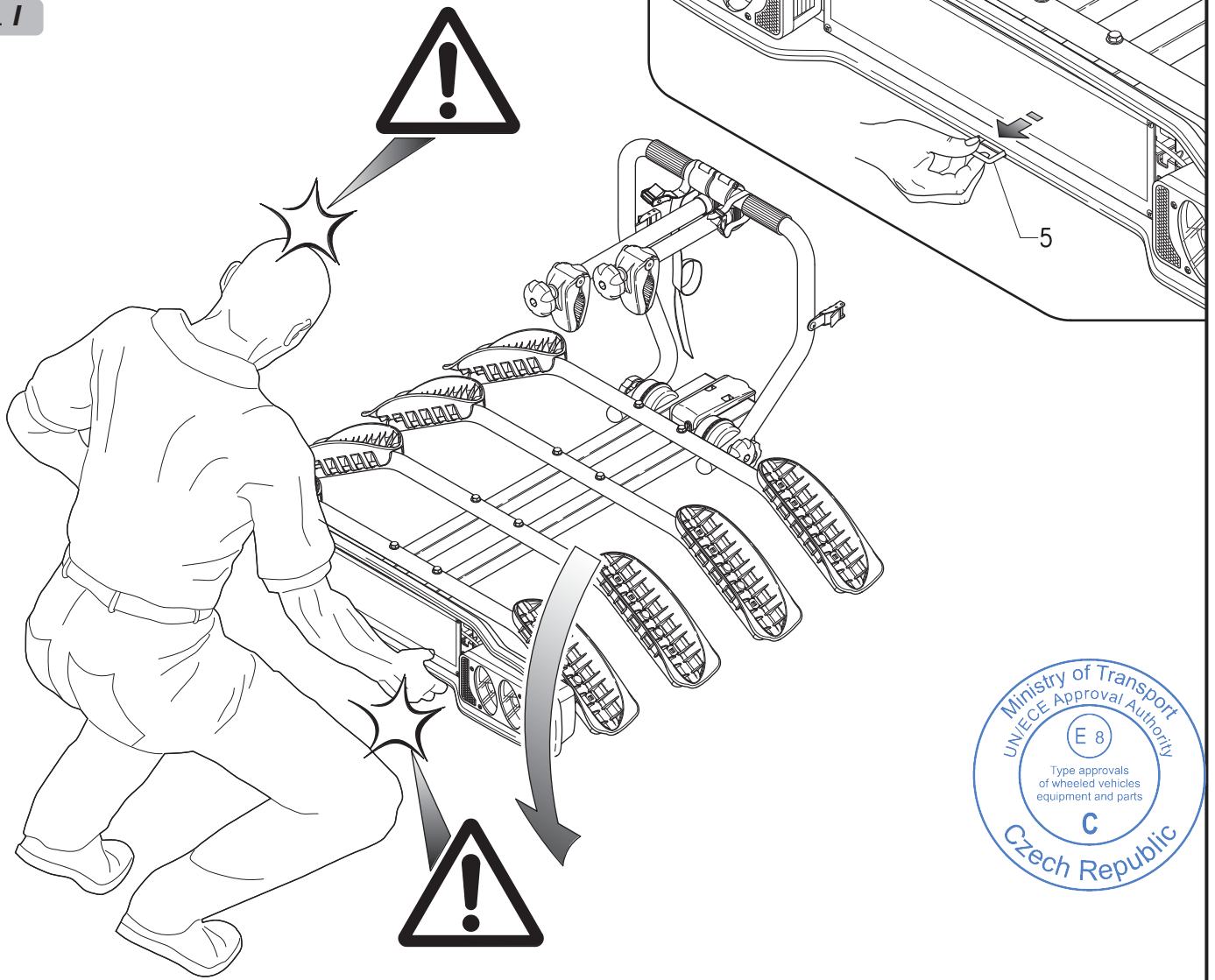


Fig. L

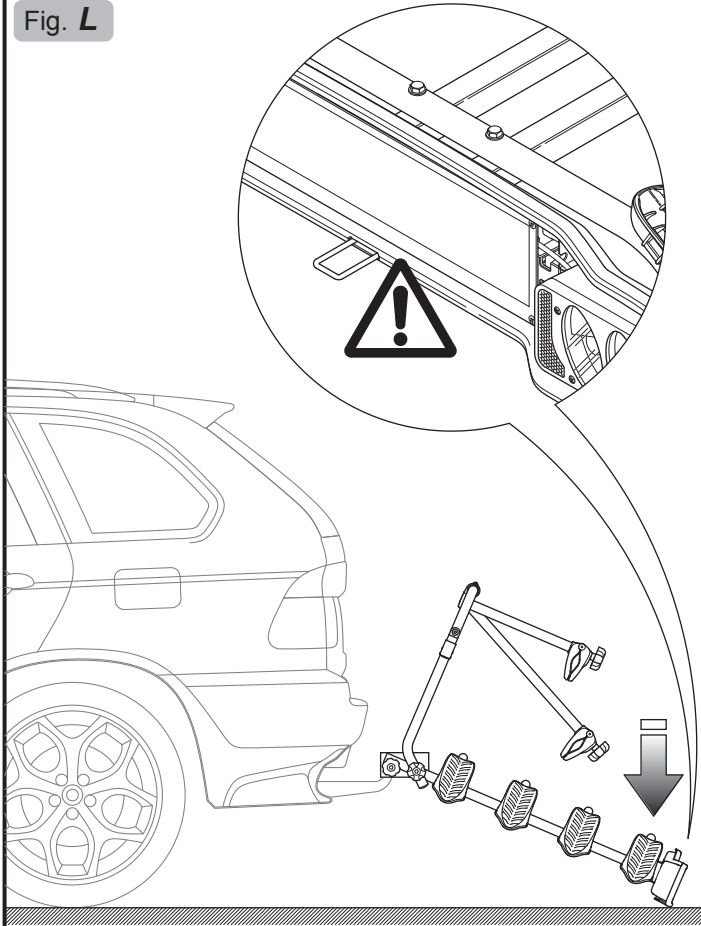
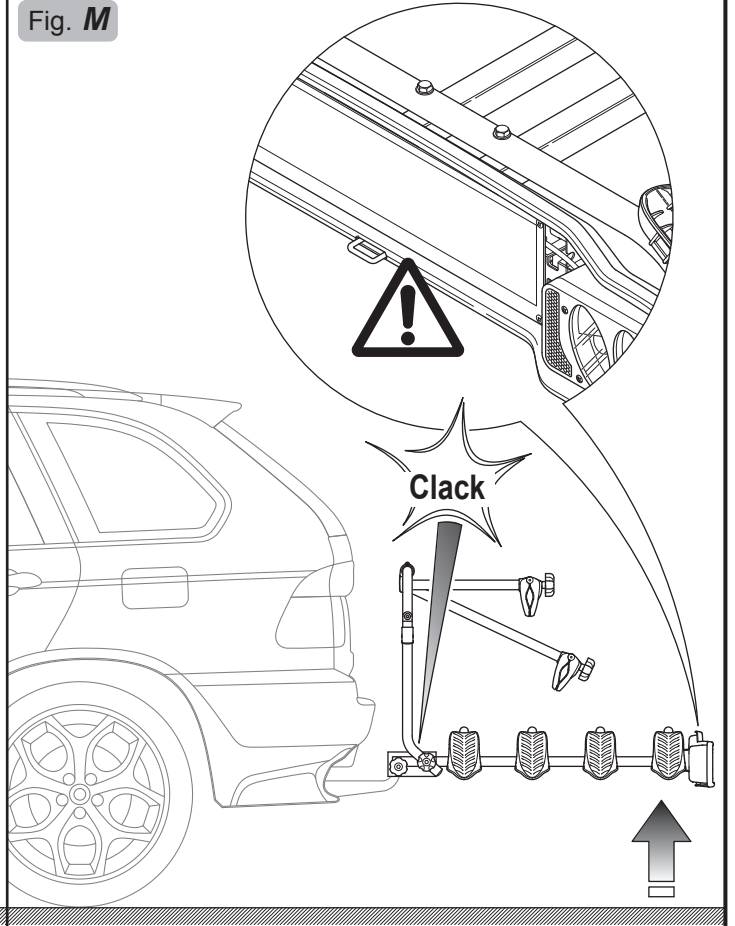


Fig. M



ASSEMBLY AND USER INSTRUCTIONS

Whenever this product is used the following information must be taken into consideration: the bike rack is a safe product if used correctly, whereas if it is used incorrectly it can cause damages to you and to anyone driving behind you.

- 1) Insert the end plugs **32** in the square bearing tubes **25-26** (Fig. **A**).
- 2) Insert the end plugs **23** in the bike carrier bars **27** (Fig. **A**) and in the bike fixing arch **31** (Fig. **D2**).
- 3) Mount the tyre cradles **21** on the bike carrier bar **27** in the most suitable positions for the dimensions of your bike and fix them with the screws **22**, nuts and washers **53** (Fig. **A**).
- 4) Fix the carrier bars **27** to the square bearing tubes **25-26** with the screws, nuts and washers **54** (Fig. **A**).
- 5) Fix the square tube **24** of the light bar **17** to the square bearing tubes **25-26** with the screws, washers and nuts **51** (Fig. **A**).
- 6) Mount the rear lights **18** on the light bar **17** and fix them with the washers and nuts **55** (Fig. **B**) while taking care not to damage the wires. Thread the 13 pin plug through the central hole of the light bar **17**.
- 7) Fix the number plate frame **19** to the light bar **17** with the screws **56**.
- 8) Fix the light bar assembly **17** to the square tube **24** with the screws **20**, the nuts and the washers **52**; make sure you thread the tilt hook **5** into the slot provided (Fig. **C**).
- 9) Mounting the bike fixing arch **31**:
 - Unscrew and remove the knobs **36** and the washers **57** from both sides (Fig. **D1**);
 - Carry out the operations **1** and **2** (Fig. **D2**);
 - Place the bike fixing arch **31** in the half pipe of the tilt adjustment element **33**, then fix it with the washers **57** and the knobs **36** (Fig. **D2**).

HOW TO INSTALL THE BIKE RACK ON THE TOWING HOOK

To mount the bike rack in safety and to avoid damaging the vehicle, you should request the help of another person.

- 10) Remove the safety screw **13** from the fixing block **50** (Fig. **E**).
 - 11) Unscrew the screw **8** until the hemisphere **14** (Fig. **E**) is completely open.
 - 12) Apply the fixing block **11** with the hemisphere open **14** to the hitch ball **58** (Fig. **F**).
 - 13) Tighten the screw **8** with the wrench provided **12** until the hemisphere **14** is secured to the hitch ball **58** (the manual force should be equal to at least **40 Kg.**) (Fig. **F**).
- IMPORTANT:** Lastly mount the safety screw **13** to the fixing block **50** (Fig. **F**) to avoid any accidental openings.

ONLY FOR ART. 668/4

- 14) Attach the strap hooks **40** to the edges of the vehicle hatch, then insert the straps in the buckles **39** (make sure the inlet direction is correct) (Fig. **F1**).
- IMPORTANT:** Give the straps a good tug to check for tightness. Check the tightness before starting and during the trip.

POSITIONING and FIXING the BIKES ON THE BIKE RACK

- 15) Place the biggest and heaviest bike on the bike rack first, position the wheels in the tyre cradles **21** and lean it up against the bike fixing arch **31**. Secure the bike to the bike fixing arch **31** with the fixing strap **30** (Fig. **H1**). Secure the wheels by means of the fixing straps **37** (Fig. **G**). Check that the belts are mounted correctly by pulling on them.
 - 16) Repeat the operations in **15** for the second, third and fourth bikes. The second and third bikes are secured to the fixing arch **31** with the fixing arms **15/16** (Fig. **H1**), whereas the fourth bike is secured to the third bike with fixing arm **41** (Fig. **H2**).
- IMPORTANT:** For safe transportation of the load the bike carrier is supplied with a strap **38** for tying all the bikes to the fixing arch **31**. Check that the belt is mounted correctly by pulling on it.

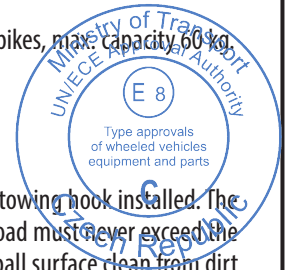
BIKE RACK INCLINATION (Fig.I/L/M)

- 17) To tilt the bike rack hold it up with one hand while you pull the hook **5** with the other (Fig. **I/L**). To avoid injury or damage, this operation of tilting the bike rack should be carried out with the help of a third person. To close the bike rack lift it until the tilt hook **5** engages securely in the transit position (Fig. **M**).

ATTENTION – SAFETY REQUIREMENTS

As well as the information described below please observe the "Conditions, suggestions and limits for use" specified in the EC type test certificate.

- Weight and maximum capacity of "SIENA" bike racks:
 - * Model **668** (10,85 kg) - **669** (10,65 kg) ---> 2 bikes, max. capacity 34 kg.
 - * Model **668/3** (13,56 kg) - **669/3** (13,33 kg) ---> 3 bikes, max. capacity 51 kg.
 - * Model **668/4** (15,93 kg.) ---> 4 bikes, max. capacity 60 kg.



- Never exceed the permitted capacity of the towing hook installed. The combined weight of the bike rack and the load must never exceed the permitted capacity. Keep the towing hook ball surface clean from dirt and oil.
- The driver is always responsible for the load he is transporting and consequently he is also responsible for checking the fastenings both before starting the trip and at regular intervals during the trip.
- Check the car manual for the specifications concerning the maximum permissible rear axle weight.
- Verify compliance with the value **D** (maximum load bearing capacity) of the towball specified by the car or towball manufacturer; the value **D** for the towball must be at least **(760 Kg) 7.6kN**; older towballs often only specify the permissible load on the towball **G_A** and the total permissible load of the towing vehicle **G_K** rather than value **D**; in this case the value **D** can be calculated using the values specified in the vehicle maintenance or registration booklet:

$$D = \frac{9,81}{1000} \times \frac{(G_A \times G_K)}{(G_A + G_K)}$$

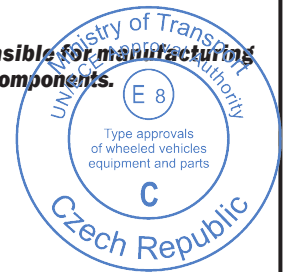
(*D* in [kN] / *G_A* in [kg] / *G_K* in [kg])

- Remove from the transported bikes children's seats, transport baskets, rain covers or other elements that could get lost or increase the air resistance.
- Do not carry more bikes than the number indicated for a specific model.
- Bike parts, such as for example the handlebars or pedals, must not be left in the normal position of use; they must be folded to avoid dangerous projections.
- Ensure that the bike rack is fitted correctly on the towing hook and that the bikes are secured as instructed.
- The bike rack is only suitable for transporting bicycles.

- Before leaving, check that the rear lights function correctly. Also check that the indicator lights work correctly.
- Keep the connections clean (lighting board power plug and power outlet on the vehicle); use suitable cleaning materials when necessary.
- Do not use and/or attach the bike rack to the car before making the electrical connections.
- Check that the electrical cables are not damaged or likely to be damaged by interference with other elements of the vehicle or that they could, in any way, be accidentally cut.
- The lighting devices are not designed to be immersed in water.
- Any major work required to be done on the electrical system and connections must be performed by qualified personnel.
- Provide an additional number plate to be attached to the towball bike rack.
- Keep in mind that when driving a vehicle with a towball bike carrier the rear load projection is different to the normal projection, therefore, take care when reversing or parking as you need to consider the longer length of the vehicle; also be aware that the weight of the bikes loaded on the carrier alter the handling characteristics of the vehicle particularly in crosswind conditions, on bends or when braking; When on the road, respect the highway code speed limits and pay attention to the road conditions to prevent jolts.
- If the driver's rear view is obstructed the vehicle must be equipped with rearview mirrors to ensure safe driving.
- To avoid damage, if the boot lid is equipped with an automatic opening function, use this function with care.
- The rear lights of the vehicle are partially or completely covered when using the towball carrier which is why the model that you have purchased is equipped with an extra light and numberplate system. The necessary number and type of lights depend on the date of the vehicle's first registration, as set out below:
- If the load protrudes more than 40 cm beyond the surface of the lights of the towball bike carrier then a visual sign must be attached to it.
- Check all the bike rack fixing elements after a short while, then at regular intervals.
- Check the distance between the bike rack, the bikes and the exhaust pipe(s) to avoid heat damages.
- To increase road safety and to reduce fuel consumption, remove the bike rack when not in use.
- Modifications to the bike rack and its components are not permitted. Immediately replace any worn or damaged part using original spare parts exclusively.
- The bike rack can be cleaned by using warm water and/or car shampoo. Store the bike rack in dry conditions at moderate temperatures.

The manufacturer is not responsible for damage caused by improper use of this product, nor for any objection made by the competent authorities with regard to the highway code.

The manufacturer shall only be responsible for manufacturing defects in the bike rack and accessory components.



REGISTRATION BEFORE 01.01.1987	REGISTRATION BETWEEN 01.01.1987 AND 31.12.1990
It is not obligatory to use fog lights or reversing lights on the towball bike carrier.	It is not obligatory to use fog lights but it is mandatory to use the reversing lights of the towball bike carrier.
Use of a 7 pin plug is permitted.	Use of a 7 pin plug is permitted. In the event of incompatibility between socket and plug use suitable adaptors that are readily available on the market.
REGISTRATION AFTER 01.01.1991	REGISTRATION AFTER 01.01.1998
All the lights of the towball bike carrier must be operational. Fog lights and reversing lights are obligatory.	The towball bike carrier must not cover the third brake lights. The third brake light must be visible otherwise it must be repeated on the towball bike carrier.
It is necessary to use a relay or electric plug with a cutoff system that ensures that the vehicle's fog lights switch off automatically when the towball bike carrier is used and come on as soon as the plug is removed (Only a 13 pin plug complies with this requirement).	

THE TYPE APPROVAL CERTIFICATE CAN BE DOWNLOADED FROM THE PRODUCT TECHNICAL DATA SHEET ON OUR WEB SITE

www.peruzzosrl.com

MONTAGE- UND GEBRAUCHSANLEITUNG

Bei jedem Gebrauch dieses Produktes müssen die nachstehenden Informationen beachtet werden: Der Fahrradträger ist ein sicheres Produkt, solange er korrekt benutzt wird. Wird er im Gegensatz dazu nicht korrekt benutzt, kann er Ihnen und anderen, hinter Ihnen fahrenden Straßenteilnehmern Schäden zufügen.

- 1) Die Stopfen **32** in die quadratisch geschnittenen Tragrohre **25-26** einfügen (Abb. **A**).
- 2) Die Stopfen **23** in die Tragbügel **27** (Abb. **A**) und den Befestigungsbügel **31** einfügen (Abb. **D2**).
- 3) Die Radaufnahmevorrichtungen **21** an die Stellen des Tragbügels **27** montieren, die für die Abmessungen Ihres Fahrrades am besten geeignet sind. Befestigen Sie die Vorrichtungen mit den Schrauben **22**, den Muttern und den Unterlegscheiben **53** (Abb. **A**).
- 4) Die Tragbügel **27** mit den Schrauben, Muttern und Unterlegscheiben **54** an den tragenden Quadratrohren **25-26** befestigen (Abb. **A**).
- 5) Das Quadratrohr **24** der Scheinwerferstange **17** mit den Schrauben, Unterlegscheiben und Muttern **51** an den tragenden Quadratrohren **25-26** befestigen (Abb. **A**).
- 6) Die Rücklichter **18** auf die Scheinwerferstange **17** montieren und mit den Unterlegscheiben und Muttern **55** (Abb. **B**) fixieren. Achten Sie darauf, dass die Kabel nicht beschädigt werden. Achten Sie darauf, den 13-poligen Stecker in das mittlere Loch der Scheinwerferstange **17** einzufügen.
- 7) Den Kennzeichenhalter **19** an der Scheinwerferstange **17** anbringen und mit den Schrauben **56** fixieren.
- 8) Die Baugruppe der Scheinwerferstange **17** an das Vierkantrohr der Scheinwerferstange **24** montieren und mit den Schrauben **20**, den Muttern und Unterlegscheiben **52** fixieren. Achten Sie darauf, dass der Schrägstellhaken **5** in die vorhandene Öffnung eintritt (Abb. **C**).
- 9) Anbringung des Befestigungsbügels **31**:
 - Die Kugelgriffe **36** und Unterlegscheiben **57** beidseitig abschrauben und entfernen (Abb. **D1**);
 - Die Schritte **1** und **2** ausführen (Abb. **D2**);
 - Den Befestigungsbügel **31** im Sitz der Einstellelemente **33** aufsetzen und dann mit den Unterlegscheiben **57** und den Kugelgriffen **36** fixieren (Abb. **D2**).

INSTALLATION DES FAHRRADTRÄGERS AUF DIE ANHÄNGERKUPPLUNG

Zur sicheren Montage des Fahrradträgers und zur Vermeidung von Beschädigungen sollte eine andere Person um Hilfe gebeten werden.

- 10) Die Sicherheitsschraube **13** vom Befestigungsblock **50** entfernen (Abb. **E**).
- 11) Die Schraube **8** soweit ausdrehen, bis die Halbkugel **14** vollständig geöffnet ist (Abb. **E**).
- 12) Den Befestigungsblock **11** mit der offenen Halbkugel **14** auf der Kugel der Anhängerkupplung **58** anbringen (Abb. **F**).
- 13) Die Schraube **8** mit dem beiliegenden Schlüssel **12** festziehen, bis die Halbkugel **14** auf der Kugel der Anhängerkupplung **58** fest sitzt (die manuell aufgewendete Kraft sollte mindestens **40 kg** betragen) (Abb. **F**).
WICHTIG: Schließlich die Sicherheitsschraube **13** auf den Befestigungsblock **50** montieren (Abb. **F**), um die versehentliche Öffnung auszuschließen.

NUR FÜR ART.668/4

- 14) Die Haken in die Riemen **40** an den Rändern der Autoheckklappe einfügen, dann die Riemen in die Schnallen **39** einführen, wobei auf die korrekte Eintrittsrichtung zu achten ist (Abb. **F1**).
WICHTIG: Prüfen Sie durch heftiges Ziehen, ob die Riemen halten. Kontrollieren Sie bei Antritt der Fahrt und während der Fahrtpausen die Riemenspannung.

POSITIONIERUNG UND BEFESTIGUNG DER FAHRRÄDER AUF DEM FAHRRADTRÄGER

- 15) Als erstes das größte und schwerste Fahrrad auf dem Träger positionieren, die Räder in den Radaufnahmen **21** unterbringen und das Fahrrad an den Befestigungsbügel **31** anlegen. Die Fahrräder mit dem Befestigungsriemen **30** am Befestigungsbügel **31** fixieren (Abb. **H1**). Die Räder mit den Befestigungsriemen **37** fixieren (Abb. **G**). Vergewissern Sie sich, dass die Riemen ausreichend angezogen und somit korrekt montiert sind.
- 16) Wiederholen Sie die Vorgänge **15** für das zweite, dritte und vierte Fahrrad. Das zweite und dritte Fahrrad sind mit den Befestigungsarmen **15/16** am Befestigungsbügel **31** fixiert (Abb. **H1**), während das vierte Fahrrad mit dem Befestigungsarm **41** (Abb. **H2**) am dritten Fahrrad fixiert ist.

WICHTIG: Für den sicheren Transport der Last ist der Fahrradträger mit dem Riemen **38** ausgestattet, mit dem alle Fahrräder am Befestigungsbügel **31** angebunden werden müssen. Vergewissern Sie sich durch ausreichendes Spannen des Riemens, dass dieser korrekt montiert ist.

SCHRÄGSTELLENDEN FAHRRADTRÄGERS (Abb. I/L/M)

- 17) Um den Fahrradträger zu neigen, wird er mit einer Hand angehoben, während die andere Hand am Haken **5** (Abb. **I/L**) zieht. Um Verletzungen und Schäden auszuschließen, muss sich die tätige Person beim Schrägstellen des Fahrradträgers der Hilfe einer dritten Person bedienen. Zum Schließen wird der Fahrradträger angehoben, bis der Neigehaken **5** sicher in Transportstellung eingefügt ist (Abb. **M**).

ACHTUNG – SICHERHEITSVORSCHRIFTEN

Neben den nachstehenden Ausführungen beachten Sie bitte die "Bedingungen, Empfehlungen und Gebrauchsbeschränkungen" aus der Prüfbescheinigung für die EG-Typgenehmigung.

- Gewicht und maximale Tragkraft der Fahrradträger "SIENA":
 - * Modell **668** (10,85 kg) - **669** (10,65 kg.) ---> 2 Fahrräder, max. Tragkraft 34 kg.
 - * Modell **668/3** (13,56 kg.) - **669/3** (13,33 kg.) ---> 3 Fahrräder, max. Tragkraft 51 kg.
 - * Modell **668/4** (15,93 kg.) ---> 4 Fahrräder, max. Tragkraft 60 kg.

- Die zulässige Höchstbelastung der installierten Anhängerkupplung darf auf keinen Fall überschritten werden. Das Gesamtgewicht des Fahrradträgers und der Last darf die zulässige Höchstbelastung in keinem Fall überschreiten. Halte Sie die Kugelgröße der Anhängerkupplung sauber; Schmutz- und Ölsuren sind zu entfernen.
- Der Fahrer ist immer für die transportierte Last und somit auch für die Kontrolle verantwortlich, mit der sowohl beim Fahrtantritt, als auch in regelmäßigen Abständen während der Fahrt die Befestigung zu prüfen ist.
- Schlagen Sie im Betriebshandbuch des Autos nach, um zu prüfen, ob die Vorgaben für das zulässige Höchstgewicht auf der Hinterachse eingehalten sind.
- Prüfen Sie, ob der vom Hersteller des Autos oder der Anhängerkupplung angegebene Wert **D** (Höchstbelastung) eingehalten ist; Der für die Anhängerkupplung angegebene Wert **D** muss mindestens **760 kg (7,6 kN)** betragen; Ältere Anhängerkupplungen weisen häufig statt des Wertes **D** nur die auf der Anhängerkupplung zulässige Last **G_A** und die zulässige Gesamtlast des ziehenden Fahrzeugs **G_K** aus; in diesem Fall kann man den Wert **D** selbst errechnen, indem man die Werte aus dem Serviceheft des Fahrzeugs oder aus dem KFZ-Schein zugrundelegt:

$$D = \frac{9,81}{1000} \times \frac{(G_A \times G_K)}{(G_A + G_K)}$$

(D in [kN] / G_A in [kg] / G_K in [kg])

- Entfernen Sie von den transportierten Fahrrädern Kindersitze, Körbe, Regenüberzüge oder andere Elemente, die sich lösen oder den Luftwiderstand erhöhen können.
- Die Anzahl der transportierten Fahrräder darf die für das erworbene Modell angegebene Höchstzahl nicht überschreiten.
- Teile aufgeladener Fahrräder wie etwa Lenker oder Pedalen dürfen nicht in Fahrstellung verbleiben, sondern sind umzulegen, damit sie nicht gefährlich weit hervorstehen.
- Überzeugen Sie sich, dass der Fahrradträger richtig auf der Anhängerkupplung montiert ist und dass die Fahrräder gemäß der Anleitung befestigt sind.
- Der Fahrradträger eignet sich ausschließlich für den Transport von Fahrrädern.
- Bevor Sie losfahren, prüfen Sie bitte, ob die Heckleuchten einwandfrei funktionieren. Prüfen Sie insbesondere die Blinkleuchten.
- Halten Sie die Anschlüsse sauber (Stecker und Zapfwelle). Verwenden Sie dazu bei Bedarf sachgerechte Materialien.
- Den Fahrradträger nicht benutzen oder an das Auto anhängen, ohne zuvor den Stromanschluss hergestellt zu haben.
- Prüfen Sie, ob die Stromkabel beschädigt sind, von anderen Fahrzeugteilen beschädigt werden oder auf andere Weise ungewollt zertrennt werden können.
- Die Beleuchtungsvorrichtungen sind nicht für das Eintauchen in Wasser ausgelegt.
- Größere Eingriffe an der elektrischen Anlage und den Anschlüssen müssen von Fachleuten vorgenommen werden.
- Eine geeignete Kopie des Kennzeichens muss auf dem Fahrradträger für die Anhängerkupplung angebracht werden.
- Berücksichtigen Sie bitte, dass mit dem Fahrradträger auf der Anhängerkupplung die Ausladung des Fahrzeugs hinten anders ist, als normal. Berücksichtigen Sie deshalb beim Rückwärtsfahren oder Einparken die größere Fahrzeuglänge. Berücksichtigen Sie außerdem, dass das Gewicht der auf den Fahrradträger geladenen Fahrräder die Fahreigenschaften des Autos vor allem bei Seitenwind, in der Kurve oder beim Bremsen verändert; Halten Sie während der Fahrt die von der Straßenverkehrsordnung vorgeschriebene Geschwindigkeit ein. Achten Sie auf den Straßenzustand und vermeiden Sie Stöße durch Schlaglöcher.
- Wenn die Sicht nach hinten verstellt ist, rüsten Sie das Fahrzeug mit geeigneten Seitenrückspiegeln aus, die eine sichere Fahrt garantieren.
- Wenn sich die Motorhaube / Heckklappe automatisch öffnen lässt, müssen Sie diese Funktion zur Schadensvermeidung mit großer Vorsicht nutzen.
- Die Heckleuchten des Autos werden bei Nutzung der Vorrichtung für die Anhängerkupplung vollständig oder teilweise abgedunkelt. Aus diesem Grund ist der Fahrradträger, den sie erworben haben, mit einem weiteren Beleuchtungssystem und Kennzeichen ausgestattet. Die Anzahl und Art der Leuchten hängen davon ab, wann das Fahrzeug erstmalig zugelassen worden ist:

ZULASSUNG VOR DEM 01.01.1987	ZULASSUNG ZWISCHEN DEM 01.01.1987 UND DEM 31.12.1990
Nebelschlussleuchten und Rückfahrleuchten für den Fahrradträger auf der Anhängerkupplung sind nicht erforderlich.	Nebelschlussleuchten sind nicht erforderlich, aber Rückfahrleuchten sind für den Fahrradträger auf der Anhängerkupplung vorgeschrieben.
Zulässig ist die Verwendung eines 7-poligen Steckers.	Der 7-polige Stecker kann verwendet werden. Sind Stecker und Buchse inkompatibel, verwenden Sie bitte die entsprechenden, im Handel erhältlichen Adapter.

ZULASSUNG NACH DEM 01.01.1991	ZULASSUNG NACH DEM 01.01.1998
Alle Leuchten des auf der Anhängerkupplung angebrachten Fahrradträgers müssen funktionieren. Nebelschlussleuchten und Rückfahrleuchten sind vorgeschrieben.	Der Fahrradträger für die Anhängerkupplung darf die dritte Bremsleuchte nicht verdecken. Die dritte Bremsleuchte muss sichtbar sein. Ist sie dies nicht, ist der Fahrradträger für die Anhängerkupplung mit einer dritten Bremsleuchte auszustatten.
Erforderlich ist die Verwendung eines Relais oder einer Steckdose mit einem System zur Trennung der Verbindung, das sicherstellt, dass die Nebelschlussleuchten des Fahrzeugs bei Verwendung der Anhängerkupplung automatisch ausgeschaltet und bei Entfernung des Steckers wieder eingeschaltet werden (nur der 13-polige Stecker genügt dieser Anforderung).	



- Wenn die Last weiter als 40 cm über die Leuchten des auf der Anhängerkupplung angebrachten Fahrradträgers hervorsteht, muss sie gekennzeichnet werden.
- Kontrollieren Sie anfänglich nach einer kurzen Fahrtstrecke, anschließend in regelmäßigen Zeitabständen alle Befestigungselemente des Fahrradträgers.
- Prüfen Sie den Abstand zwischen dem Fahrradträger, den Fahrrädern und dem Auspuffrohr/e, um wärmebedingte Schäden auszuschließen.
- Um die Straßensicherheit zu erhöhen und Energie zu sparen, bauen Sie den Fahrradträger bitte ab, wenn er nicht benutzt wird.
- Es ist untersagt, am Fahrradträger und seinen Komponenten Änderungen vorzunehmen. Jedes verschlissene oder beschädigte Teil ist sofort und ausschließlich durch Originalersatzteile zu ersetzen.
- Der Fahrradträger lässt sich mit lauwarmem Wasser, bei Bedarf auch mit einem speziellen Autowaschmittel reinigen. Bewahren Sie den Fahrradträger bei gemäßigten Temperaturen vor Feuchtigkeit geschützt auf.

Der Hersteller haftet nicht für Schäden, die auf den fehlerhaften Gebrauch dieses Produktes zurückgehen. Ebenso wenig haftet er für Strafen, die bei Verstößen gegen die Straßenverkehrsordnung von den zuständigen Behörden verhängt werden.

Der Hersteller haftet einzig für Herstellungsfehler am Fahrradträger und seinen Zusatzkomponenten.

DAS DOKUMENT ÜBER DIE TECHNISCHE ZULASSUNG KANN VON UNSERER WEBSITE

www.peruzzosrl.com

INNERHALB DES TECHNISCHEN PRODUKTDATENBLATTES HERUNTERGELADEN WERDEN.

INSTRUCTIONS DE MONTAGE ET D'UTILISATION

Veillez observer scrupuleusement les instructions ci-dessous à chaque fois que vous utilisez ce produit: le porte-vélo est un produit sûr à condition qu'il soit utilisé correctement, s'il est utilisé de manière impropre il peut procurer des dommages aux personnes qui l'utilisent et à celles qui les suivent sur la route.

- 1) Introduisez les bouchons **32** dans les tubes carrés porteurs **25-26** (Fig. **A**).
- 2) Introduisez les bouchons **23** sur les montants porteurs **27** (Fig. **A**) et sur le montant de fixation **31** (Fig. **D2**).
- 3) Montez les supports de roues **21** sur le montant porteur **27** dans les positions les plus adaptées aux dimensions de votre vélo en les fixant avec les vis **22**, les écrous et les rondelles **53** (Fig. **A**).
- 4) Fixez les montants porteurs **27** aux tubes carrés porteurs **25-26** avec les vis, les écrous et les rondelles **54** (Fig. **A**).
- 5) Fixez le tube carré **24** de la barre des feux **17** sur les tubes carrés porteurs **25-26** en le fixant avec les vis, les rondelles et les écrous **51** (Fig. **A**).
- 6) Montez les phares arrière **18** sur la barre des feux **17** en les fixant avec les rondelles et les écrous **55** (Fig. **B**) en veillant à ne pas endommager les fils. Veillez à faire passer la fiche à 13 broches dans le trou central de la barre des feux **17**.
- 7) Montez le support de la plaque **19** sur la barre des feux **17** en le fixant avec les vis **56**.
- 8) Montez le groupe barre des feux **17** sur le tube carré **24** en le fixant avec les vis **20**, les écrous et les rondelles **52** en veillant à ce que le crochet d'inclinaison **5** s'introduise dans la fente prévue à cet effet (Fig. **C**).
- 9) Montage du montant de fixation **31**:
 - Dévissez et ôtez les boutons **36** et les rondelles **57** sur les deux côtés (Fig. **D1**);
 - Exécutez les opérations **1** et **2** (Fig. **D2**);
 - Posez le montant de fixation **31** sur le siège des éléments de réglage **33** et le fixer avec les rondelles **57** et les boutons **36** (Fig. **D2**).

COMMENT INSTALLER LE PORTE-VÉLO SUR LE CROCHET DE REMORQUAGE

Pour installer le porte-vélo en toute sécurité et pour éviter tout dommage au véhicule l'aide d'une autre personne est requise.

- 10) Ôtez la vis de sécurité **13** du bloc de fixation **50** (Fig. **E**).
 - 11) Dévissez la vis **8** jusqu'à l'ouverture complète de la demi-sphère **14** (Fig. **E**).
 - 12) Appliquez le bloc de fixation **11** avec la demi-sphère ouverte **14** sur la boule du crochet de remorquage **58** (Fig. **F**).
 - 13) Serrez la vis **8** à l'aide de la clé **12** fournie jusqu'au blocage de la demi-sphère **14** sur la boule du crochet de remorquage **58** (la force manuelle devrait être d'au moins **40 Kg**) (Fig. **F**).
- IMPORTANT:** Pour finir, montez la vis de sécurité **13** sur le bloc de fixation **50** (Fig. **F**) pour éviter toute ouverture imprévue.

SEULEMENT POUR L'ART. 668/4

- 14) Introduisez les crochets des sangles **40** sur les bords du hayon du véhicule, puis introduisez les sangles dans les boucles **39** en respectant le sens d'entrée (Fig. **F1**).
- IMPORTANT:** Assurez-vous de la tenue des sangles en les secouant. Contrôlez leur tension au début du parcours et lors d'arrêts.

POSITIONNEMENT ET FIXATION DES VÉLOS SUR LE PORTE-VÉLO

- 15) Positionnez d'abord le vélo le plus grand et le plus lourd sur le porte-vélo, mettez les roues dans les logements correspondants **21** et appuyez-le contre le montant de fixation **31**. Fixez le vélo avec la sangle de fixation **30** au montant de fixation **31** (Fig. **H1**). Fixez les roues avec les sangles de fixation **37** (Fig. **G**). Assurez-vous, en tendant suffisamment les sangles, qu'elles sont montées correctement.

- 16) Répétez les opérations **15** pour le deuxième, le troisième et le quatrième vélo. Le deuxième et le troisième vélo se fixent au montant de fixation **31** avec les bras de fixation **15/16** (Fig. **H1**), alors que le quatrième vélo se fixe au troisième avec le bras de fixation **41** (Fig. **H2**).

IMPORTANT: Pour transporter la charge en toute sécurité le porte-vélo est doté de la sangle **38** qui sert à fixer tous les vélos au montant de fixation **31**. Assurez-vous, en tendant suffisamment la sangle, qu'elle est montée correctement.

INCLINAISON DU PORTE-VELO (Fig. I/L/M)

- 17) Pour incliner le porte-vélo maintenez-le soulevé avec une main et avec l'autre main tirez le crochet **5** (Fig. **I/L**). Pour éviter toute blessure et dommage, l'inclinaison du porte-vélo devrait être effectuée avec l'aide d'une troisième personne. Pour la fermeture, soulevez le porte-vélo jusqu'à ce que le crochet d'inclinaison **5** s'enclenche de manière sûre dans la position de transport (Fig. **M**).

ATTENTION - NORMES DE SÉCURITÉ

En plus des dispositions ci-dessus, veuillez respecter les "Conditions, conseils et contraintes d'utilisation" visés dans le rapport d'essai pour l'homologation CE correspondante.

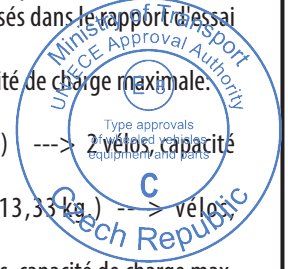
- Poids propre du porte-vélo "SIENA" et capacité de charge maximale.

- * Modèle **668** (10,85 kg) - **669** (10,65 kg.) ---> 2 vélos, capacité de charge max. 34 kg.
- * Modèle **668/3** (13,56 kg.) - **669/3** (13,33 kg.) ---> vélos, capacité de charge max. 51 kg.
- * Modèle **668/4** (15,93 kg.) ---> 4 vélos, capacité de charge max. 60 kg.

- Ne dépassez en aucun cas la capacité de charge prévue pour le crochet de remorquage installé. Le poids total du porte-vélo plus la charge ne doit en aucun cas dépasser la capacité de charge prévue. La boule du crochet de remorquage doit être propre, dépourvue de toute trace de saleté ou d'huile.
- Le conducteur est toujours responsable de la charge qu'il transporte et donc d'effectuer aussi un contrôle afin de vérifier que la charge est bien fixée aussi bien au moment de son départ que durant son déplacement à des intervalles réguliers.
- Veuillez consulter la notice du véhicule et vérifier que les données fournies au sujet de la charge maximale supportable par l'essieu arrière sont bien respectées.
- Vérifiez le respect de la valeur **D** (charge maximale) du crochet de remorquage indiquée par le fabricant du véhicule ou du crochet de remorquage; La valeur **D** exprimée pour le crochet d'attelage devrait correspondre au moins à **7,6 kN (760 Kg)**; Souvent les crochets d'attelage les plus anciens indiquent seulement la charge admissible sur le crochet d'attelage **G_A** et la charge totale admissible du véhicule tracteur **G_K** au lieu de la valeur **D**; dans ce cas la valeur **D** peut être calculée en prenant les valeurs dans la notice du véhicule ou sur le certificat d'immatriculation:

$$D = \frac{9,81}{1000} \times \frac{(G_A \times G_K)}{(G_A + G_K)}$$

(*D* in [kN] / *G_A* in [kg] / *G_K* in [kg])



- Ôtez, des vélos à transporter, les éventuels sièges d'enfant, paniers, couvertures anti-pluie ou tout autre accessoire susceptible de se décrocher ou augmenter la résistance aérodynamique.
- Le nombre de vélos transportés ne doit pas être supérieur à celui prescrit selon le modèle acheté.
- Aucune partie des vélos transportés comme par exemple les guidons ou les pédales ne doit rester dans sa position d'utilisation normale mais doit être repliée de sorte à éviter tout débordement dangereux.
- Assurez-vous que le porte-vélo est installé correctement sur le crochet d'attelage et que les vélos sont fixés comme indiqué dans la notice.
- Le porte-vélo est conçu uniquement pour le transport de vélos.
- Avant de partir vérifiez que les feux arrière fonctionnent correctement. Vérifiez, en particulier, le fonctionnement des clignotants.
- Les connexions (fiche dispositif et prise motrice) doivent être propres, au besoin intervenez avec un matériel approprié.
- Le porte-vélos ne peut être utilisé ou accroché au véhicule sans avoir préalablement effectué le branchement électrique.
- Assurez-vous que les fils électriques n'ont pas été endommagés ou qu'ils ne puissent l'être suite à des interférences avec d'autres éléments du véhicule ou ne puissent, de quelque manière que ce soit, être coupé accidentellement.
- Les dispositifs d'éclairage n'ont pas été conçus pour être immergés dans l'eau.
- Toute intervention importante sur l'installation électrique et sur les connexions doit être effectuée par un personnel expert.
- Prévoyez une réplique appropriée de la plaque d'immatriculation à appliquer sur le porte-vélos d'attelage.
- Notez que en utilisant le porte-vélos d'attelage les débordements arrière du véhicule sont différents par rapport à la normale, faites donc attention aux manoeuvres en marche arrière et de stationnement en raison de l'encombrement plus important du véhicule en longueur. Considérez que le poids des vélos montés sur le porte-vélos modifie le comportement de maniabilité du véhicule en particulier en présence de vent latéral, dans les virages ou en cas de freinage; Voyagez en respectant les limites de vitesse du code de la route en faisant attention aux conditions de la route et en évitant toute secousse excessive.
- Si la visibilité arrière est obstruée, équipez le véhicule de miroirs appropriés aptes à garantir la sécurité au volant.
- Afin d'éviter tout éventuel dommage, si le capot/coffre est équipé d'une ouverture automatique veillez à utiliser cette fonction avec précaution.
- Les feux arrière du véhicule sont complètement ou partiellement masqués en cas d'utilisation du dispositif d'attelage, c'est la raison pour laquelle votre porte-vélos est équipé d'un système supplémentaire de feux et plaque d'immatriculation. Le nombre et le type de feux nécessaires dépendent de la date de la première immatriculation du véhicule, conformément aux dispositions suivantes :

IMMATRICULATION AVANT LE 01.01.1987	IMMATRICULATION ENTRE LE 01.01.1987 ET LE 31.12.1990
Le fonctionnement des phares antibrouillard et des feux de recul du porte-vélos d'attelage n'est pas obligatoire.	Le fonctionnement des phares antibrouillard n'est pas obligatoire mais celui des feux de recul du porte-vélos d'attelage l'est.
L'utilisation d'une prise à 7 broches est autorisée.	Il est possible d'utiliser la fiche à 7 pôles. En cas d'incompatibilité entre la prise et la fiche, utilisez les adaptateurs spéciaux disponibles dans le commerce.

IMMATRICULATION APRES LE 01.01.1991	IMMATRICULATION APRES LE 01.01.1998
Tous les feux du porte-vélos d'attelage doivent fonctionner. Les phares antibrouillard et les feux de recul sont obligatoires.	Le porte-vélos d'attelage ne doit pas masquer les feux du troisième stop. Le troisième stop doit être visible autrement il doit être répété sur le porte-vélos d'attelage.
Il est nécessaire d'utiliser un relais ou une prise de courant avec un système de déconnexion apte à garantir que les phares antibrouillard du véhicule soient éteints automatiquement en cas d'utilisation du crochet d'attelage et soient rallumés dès que la prise est enlevée (Seule la prise à 13 broches répond à cette exigence).	

- Si la charge déborde de plus de 40 cm de la surface des feux du porte-vélos d'attelage, il est nécessaire de la signaler visuellement.
- Contrôlez initialement tous les éléments de fixation du porte-vélos après un bref parcours et ensuite à intervalles réguliers.
- Vérifiez la distance entre le porte-vélo, les vélos et le(s) niveau(x) d'échappement afin d'éviter tout éventuel dommage dû à la chaleur.
- Pour augmenter la sécurité routière et pour éviter toute consommation énergétique inutile, démontez le porte-vélos lorsqu'il n'est pas utilisé.
- Il est défendu de modifier le porte-vélo et ses composants. Remplacez immédiatement toute partie usée ou endommagée exclusivement avec des pièces de rechange originales.
- Nettoyez le porte-vélo avec de l'eau tiède et/ou un produit détergent pour véhicules. Rangez le porte-vélo dans un endroit à l'abri de l'humidité et à des températures modérées.

Le fabricant décline toute responsabilité en cas de dommages dus à une utilisation impropre de ce produit et en cas de contestation au code de la route de la part des autorités compétentes.

Le fabricant ne répond que des défauts de fabrication du porte-vélo et des composants accessoires.

VOUS POUVEZ TÉLÉCHARGER LE DOCUMENT D'HOMOLOGATION SUR NOTRE SITE

www.peruzzosrl.com

À L'INTÉRIEUR LA FICHE TECHNIQUE DU PRODUIT.

ISTRUZIONI PER IL MONTAGGIO E L'IMPIEGO

Ogni volta che si usa questo prodotto devono essere considerate le informazioni sotto riportate: il portaciclo è un prodotto sicuro se usato correttamente, al contrario, se usato male, può arrecare danni a Voi e ad altri che vi seguono in strada.

- 1) Inserire i tappi **32** nei tubi quadri portanti **25-26** (Fig. **A**).
- 2) Inserire i tappi **23** negli archi portanti **27** (Fig. **A**) e nell'arco di fissaggio **31** (Fig. **D2**).
- 3) Montare gli alloggiamenti ruota **21** all'arco portante **27** nelle posizioni più adatte alle dimensioni della vostra bicicletta fissandoli con le viti **22**, i dadi e le rondelle **53** (Fig. **A**).
- 4) Fissare gli archi portanti **27** ai tubi quadri portanti **25-26** con le viti, i dadi e le rondelle **54** (Fig. **A**).
- 5) Fissare il tubo quadro **24** della barra portafanali **17** ai tubi quadri portanti **25-26** con le viti, le rondelle e i dadi **51** (Fig. **A**).
- 6) Montare i fanali posteriori **18** sulla barra portafanali **17** fissandoli con le rondelle e i dadi **55** (Fig. **B**) facendo attenzione a non danneggiare i cavi. Aver cura di far passare la spina a 13 poli all'interno del foro centrale della barra portafanali **17**.
- 7) Montare il portatarga **19** alla barra portafanali **17** fissandola con le viti **56**.
- 8) Montare il gruppo barra portafanali **17** al tubo quadro **24** fissandolo con le viti **20**, i dadi e le rondelle **52**, facendo attenzione che il gancio di inclinazione **5** si infili nella feritoia predisposta (Fig. **C**).
- 9) Montaggio arco di fissaggio **31**:
 - Svitare e togliere i pomelli **36** e le rondelle **57** da entrambi i lati (Fig. **D1**);
 - Eseguire le operazioni **1** e **2** (Fig. **D2**);
 - Appoggiare l'arco di fissaggio **31** nella sede delle ruote di regolazione **33**, quindi fissarlo con le rondelle **57** e i pomelli **36** (Fig. **D2**).

COME INSTALLARE IL PORTABICI SUL GANCIO DI TRAINO

Per il montaggio in sicurezza del portaciclo e per evitare danni al veicolo si dovrebbe richiedere l'aiuto di un'altra persona.

- 10) Togliere la vite di sicurezza **13** dal blocco di fissaggio **50** (Fig. **E**).
- 11) Svitare la vite **8** fino alla completa apertura della semisfera **14** (Fig. **E**).
- 12) Applicare il blocco di fissaggio **11** con la semisfera aperta **14** sulla sfera del gancio di traino **58** (Fig. **F**).
- 13) Serrare la vite **8** con la chiave in dotazione **12** fino al bloccaggio della semisfera **14** alla sfera del gancio di traino **58** (la forza manuale dovrebbe essere pari ad almeno **40 Kg.**) (Fig. **F**).

IMPORTANTE: Montare infine la vite di sicurezza **13** sul blocco di fissaggio **50** (Fig. **F**) per evitare eventuali aperture non intenzionali.

SOLO PER ART. 668/4

- 14) Inserire i ganci delle cinghie **40** ai bordi del portellone dell'autoveicolo, quindi inserire le cinghie nelle fibbie **39** facendo attenzione al giusto verso di entrata (Fig. **F1**).

IMPORTANTE: Verificare la tenuta delle cinghie stratonandole. Controllarne la tensione all'inizio del viaggio e durante le soste.

POSIZIONAMENTO E FISSAGGIO DELLE BICICLETTE SUL PORTABICI

- 15) Posizionare sul portabici per prima la bicicletta più grande e più pesante, mettere le ruote negli alloggiamenti ruota **21** ed appoggiarla contro l'arco di fissaggio **31**. Fissare la bici con la cinghia di fissaggio **30** all'arco di fissaggio **31** (Fig. **H1**). Fissare le ruote con le cinghie di fissaggio **37** (Fig. **G**). Assicurarsi, tendendo sufficientemente la cinghia, che essa sia montata correttamente.
- 16) Ripetere le operazioni **15** per la seconda, la terza e la quarta bicicletta. La seconda e la terza bicicletta sono fissate all'arco di fissaggio **31** con i braccetti di fissaggio **15/16** (Fig. **H1**), mentre la quarta è fissata alla terza con il braccetto di fissaggio **41** (Fig. **H2**).

IMPORTANTE: Per trasportare in sicurezza il carico il portabici è fornito della cinghia **38** che deve legare tutte le bici all'arco di fissaggio **31**. Assicurarsi, tendendo sufficientemente la cinghia, che essa sia montata correttamente.

INCLINAZIONE DEL PORTABICI (Fig. I/L/M)

- 17) Per inclinare il portabici tenerlo sollevato con una mano mentre con l'altra tirare il gancio **5** (Fig. **I/L**). Per evitare lesioni e danni l'inclinazione del portabici da parte dell'operatore dovrebbe essere effettuata facendosi aiutare da una terza persona. Per la chiusura il portabici viene sollevato fino a quando il gancio di inclinazione **5** si innesta in modo sicuro nella posizione di trasporto (Fig. **M**).

ATTENZIONE - NORME DI SICUREZZA

Oltre a quanto di seguito esposto preghiamo di osservare "Condizioni, consigli e limitazioni d'uso" di cui al certificato di prova per l'omologazione CE del tipo.

- Peso proprio dei portabici "SIENA" e portata massima:

- * Modello **668** (10,85 kg) - **669** (10,65 kg.) ---> 2 biciclette, portata max. 34 kg.
- * Modello **668/3** (13,56 kg.) - **669/3** (13,33 kg.) ---> 3 biciclette, portata max. 51 kg.
- * Modello **668/4** (15,93 kg.) ---> 4 biciclette, portata max. 60 kg.

- Non superare mai la portata consentita del gancio di traino installato. Il peso complessivo del portabici e del carico non devono mai superare la portata consentita. Mantenere la superficie della sfera del gancio di traino pulita eliminando eventuali tracce di sporco o olio.
- Il conducente è sempre responsabile del carico trasportato e quindi anche di effettuare un controllo al fine di verificare l'adeguato fissaggio sia al momento della partenza, sia durante il viaggio ad intervalli regolari.
- Consultare il manuale dell'auto e verificare il rispetto delle specifiche riportate in merito al carico massimo consentito sull'asse posteriore.
- Verificare il rispetto del valore **D** (portata massima) del gancio traino indicato dal produttore dell'auto o del gancio traino; il valore **D** espresso per il gancio traino dovrebbe essere pari ad almeno (**760 Kg**) **7,6 KN**; i ganci traino più vecchi spesso indicano solamente il carico consentito sul gancio traino **G_A** ed il carico totale consentito del veicolo trainante **G_K** anziché il valore **D**; in tal caso il valore **D** può essere così calcolato prendendo i valori nel libretto di manutenzione della vettura o nel libretto di immatricolazione:

$$D = \frac{9,81}{1000} \times \frac{(G_A \times G_K)}{(G_A + G_K)}$$

(D in [kN] / G_A in [kg] / G_K in [kg])

- Togliere dalle biciclette trasportate eventuali seggiolini per bambini, cestini, coperture per pioggia o qualsiasi altro elemento che potrebbe staccarsi o aumentare la resistenza aerodinamica.
- Il numero di biciclette trasportate non deve superare quello previsto in base al modello acquistato.
- Nessuna parte delle biciclette caricate come, per esempio, manubri o pedali, devono essere lasciati in posizione di utilizzo classico, vanno piegati onde evitare sporgenze pericolose.
- Assicurarsi che il portabici sia montato correttamente sul gancio di traino e che le biciclette siano fissate come da istruzioni fornite.
- Il portabici è idoneo solo per il trasporto di biciclette.

- Prima di partire controllare la completa funzionalità delle luci posteriori; verificare, in particolare, il funzionamento delle frecce direzionali.
- Mantenere pulite le connessioni (spina dispositivo e presa motrice), intervenendo con materiali appropriati ove si rendesse necessario.
- Non utilizzare e/o agganciare il portabici all'auto senza aver prima effettuato il collegamento elettrico.
- Verificare che i cavi elettrici non siano danneggiati o possano esserlo per interferenze con altri elementi del veicolo o possano, in qualche modo, essere tranciati accidentalmente.
- I dispositivi di illuminazioni non sono progettati per essere immersi in acqua.
- Eventuali interventi rilevanti sull'impianto elettrico e sulle connessioni devono essere eseguiti da personale specializzato.
- Provvedere con un'adeguata replica della targa da applicare sul portabici gancio traino.
- Tenere presente che con l'utilizzo del portabici gancio traino le sporgenze posteriori del veicolo sono diverse rispetto al normale, fate, quindi, attenzione alle manovre di retromarcia e di parcheggio per il maggior ingombro in lunghezza dell'autoveicolo, considerare che il peso delle biciclette caricate sul portabici cambia il comportamento della guidabilità dell'auto soprattutto in presenza di vento laterale, in curva o in caso di frenata; viaggiare rispettando i limiti di velocità del codice stradale prestando attenzione alle condizioni della strada ed evitando scossoni.
- Se la visuale posteriore risulta ostruita equipaggiare il veicolo con adeguati specchietti retrovisori che garantiscano una guida in sicurezza.
- Al fine di evitare danni, se il cofano/portellone è provvisto di apertura automatica, dovete utilizzare questa funzione con molta attenzione.
- Le luci posteriori dell'auto vengono completamente o parzialmente oscurate in caso di utilizzo del dispositivo gancio traino, per questo motivo il portabici che avete acquistato è dotato di un ulteriore sistema di luci e targa. Il numero e la tipologia di luci necessarie dipendono dalla data di prima immatricolazione del veicolo secondo quanto segue:

IMMATRICOLAZIONE PRIMA DEL 01.01.1987	IMMATRICOLAZIONE TRA IL 01.01.1987 ED IL 31.12.1990
Non è obbligatorio il funzionamento delle luci fendinebbia e delle luci di retromarcia del portabici gancio traino.	Non è obbligatorio il funzionamento delle luci fendinebbia ma è obbligatorio il funzionamento delle luci di retromarcia del portabici gancio traino.
E' consentito l'uso di una spina a 7 poli.	E' consentito l'uso della spina a 7 poli. In caso di incompatibilità tra presa e spina utilizzare gli appositi adattatori che si trovano in commercio.
IMMATRICOLAZIONE DOPO IL 01.01.1991	IMMATRICOLAZIONE DOPO IL 01.01.1998
Tutte le luci del portabici gancio traino devono essere funzionanti. Luci fendinebbia e luci di retromarcia sono obbligatorie.	Il portabici gancio traino non deve coprire le luci del terzo stop. Il terzo stop deve essere visibile in caso contrario deve essere ripetuto sul portabici gancio traino.
E' necessario l'utilizzo di un relè o di una presa elettrica con un sistema di sconnessione che assicuri che le luci fendinebbia del veicolo vengano spente automaticamente in caso di utilizzo del gancio traino e che vengano riaccese non appena viene rimossa la spina (Solo la spina a 13 poli risponde a tale requisito).	

Il fabbricante non è responsabile dei danni causati dal cattivo uso di questo prodotto, né dell'eventuale contestazione al codice della strada da parte delle autorità competenti.

Il fabbricante è responsabile solo dei difetti di fabbricazione del portabici e componenti accessori.



E' POSSIBILE SCARICARE IL DOCUMENTO DI OMOLOGAZIONE DAL NOSTRO SITO

www.peruzzosrl.com

ALL'INTERNO DELLA SCHEDA TECNICA DEL PRODOTTO.

INSTRUCCIONES PARA EL MONTAJE Y LA UTILIZACIÓN

Cada vez que se usa este producto, se deben considerar las informaciones indicadas a continuación: el portabicicletas es un producto seguro si se utiliza correctamente; por el contrario, si se usa mal, puede provocar daños a usted y a los conductores que le siguen en la ruta.

- 1) Colocar los tapones **32** en los tubos cuadrados portantes **25-26** (Fig. **A**).
- 2) Colocar los tapones **23** en los arcos portantes **27** (Fig. **A**) y en el arco de fijación **31** (Fig. **D2**).
- 3) Colocar los alojamientos de las ruedas **21** en el arco portante **27** en las posiciones más adecuadas a las dimensiones de su bicicleta, fijándolos con los tornillos **22**, las tuercas y las arandelas **53** (Fig. **A**).
- 4) Fijar los arcos portantes **27** a los tubos cuadrados portantes **25-26** con los tornillos, las tuercas y las arandelas **54** (Fig. **A**).
- 5) Fijar el tubo cuadrado **24** de la barra portafaros **17** a los tubos cuadrados portantes **25-26** con los tornillos, las arandelas y las tuercas **51** (Fig. **A**).
- 6) Instalar los faros traseros **18** en la barra portafaros **17** con las arandelas y las tuercas **55** (Fig. **B**), prestando atención para no dañar los cables. Haga pasar la clavija de 13 polos por dentro del orificio central de la barra portafaros **17**.
- 7) Colocar el portamatrícula **19** en la barra portafaros **17**, fijándolo con los tornillos **56**.
- 8) Colocar el grupo barra portafaros **17** en el tubo cuadrado de la barra portafaros **24**, fijándolo con los tornillos **20**, las tuercas y las arandelas **52**, y verificando que el gancho de inclinación **5** se introduzca en la ranura correspondiente (Fig. **C**).
- 9) Montaje arco de fijación **31**:
 - Desenroscar y quitar los pomos **36** y las arandelas **57** de ambos lados (Fig. **D1**);
 - Realice las operaciones **1** y **2** (Fig. **D2**);
 - Apoyar el arco de fijación **31** en el alojamiento de los elementos de regulación **33** y, a continuación, fijarlo con las arandelas **57** y los pomos **36** (Fig. **D2**).

CÓMO INSTALAR EL PORTABICICLETAS EN EL GANCHO DE REMOLQUE

Para el montaje en condiciones de seguridad del portabicicletas y para evitar daños al vehículo, se recomienda solicitar la ayuda de otra persona.

- 10) Sacar el tornillo de seguridad **13** del bloque de fijación **50** (Fig. **E**).
- 11) Desenroscar el tornillo **8** hasta la completa apertura de la semiesfera **14** (Fig. **E**).
- 12) Aplicar el bloque de fijación **11** con la semiesfera abierta **14** en al esfera del gancho de remolque **58** (Fig. **F**).
- 13) Apretar el tornillo **8** con la llave suministrada **12**, hasta bloquear la semiesfera **14** en la bola del gancho de arrastre **58** (la fuerza de la presión de la mano debe ser de al menos **40 Kg**) (Fig. **F**).

IMPORTANTE: Por último, colocar el tornillo de seguridad **13** en el bloque de fijación **50** (Fig. **F**) para evitar eventuales aperturas no intencionales.

SOLO PARA ART. 668/4

- 12) Coloque los ganchos de las correas **40** en los bordes de la puerta trasera del vehículo y, a continuación, introduzca las correas en las hebillas **39**, prestando atención al correcto sentido de entrada (Fig. **F1**).
- IMPORTANTE:** Verifique la resistencia de las correas, tirando de ellas. Controle su tensión al principio del viaje y durante las paradas.

COLOCACIÓN Y FIJACIÓN DE LAS BICICLETAS EN EL PORTABICICLETAS

- 15) Coloque primero en el portabicicletas la bicicleta más grande y pesada; introduzca las ruedas en los alojamientos correspondientes **21** y apoye el cuadro contra el arco de fijación **31**. Fije la bicicleta con la correa de fijación **30** al arco de fijación **31** (Fig. **H1**). Sujete las ruedas con las correas de fijación **37** (Fig. **G**). Verificar, tensando suficientemente las correas, que las mismas hayan sido montadas correctamente.

- 16) Repetir las operaciones **15** para la segunda, la tercera y la cuarta bicicleta. La segunda y la tercera bicicleta se fijan al arco de fijación **31** con los brazos de fijación **15/16** (Fig. **H1**), mientras que la cuarta se fija a la tercera con el brazo de fijación **41** (Fig. **H2**).

IMPORTANTE: Para transportar la carga en forma segura, el portabicicletas está dotado de la correa **38**, que debe sujetar todas las bicicletas al arco de fijación **31**. Tense suficientemente la correa para verificar que la misma haya sido montada correctamente.

INCLINACIÓN DEL PORTABICICLETAS (Fig. I/L/M)

- 17) Para inclinar el portabicicletas, mantenerlo levantado con una mano y tirar con la otra del gancho **5** (Fig. **I/L**). Para evitar lesiones y daños, la inclinación del portabicicletas por parte del operador debe ser realizada con la ayuda de una tercera persona. Para cerrarlo, el portabicicletas debe ser levantado hasta que el gancho de inclinación **5** se engancha correctamente en la posición de transporte (Fig. **M**).

ATENCIÓN – NORMAS DE SEGURIDAD

Además de lo indicado a continuación, se ruega observar las "Condiciones, consejos y limitaciones de uso" incluidas en el certificado de ensayo para la homologación CE.

- Weight and maximum capacity of "SIENA" bike racks:

- * Modelo **668** (10,85 kg) - **669** (10,65 kg.) ---> 2 bicicletas, capacidad máx. 34 kg.
- * Modelo **668/3** (13,56 kg.) - **669/3** (13,33 kg.) ---> 3 bicicletas, capacidad máx. 51 kg.
- * Modelo **668/4** (15,93 kg.) ---> 4 bicicletas, capacidad máx. 60 kg.

- Non superare mai la portata consentita del gancio di traino installato. Il peso complessivo del portaciclo e del carico non devono mai superare la portata consentita. Mantenere la superficie della sfera del gancio di traino pulita eliminando eventuali tracce di sporco o olio.
- Il conducente è sempre responsabile del carico trasportato e quindi anche di effettuare un controllo al fine di verificarne l'adeguato fissaggio sia al momento della partenza, sia durante il viaggio ad intervalli regolari.
- Consultare il manuale dell'auto e verificare il rispetto delle specifiche riportate in merito al carico massimo consentito sull'asse posteriore.
- Verificare il rispetto del valore **D** (portata massima) del gancio traino indicato dal produttore dell'auto o del gancio traino; il valore **D** espresso per il gancio traino dovrebbe essere pari ad almeno (**760 Kg**) **7,6 KN**; i ganci traino più vecchi spesso indicano solamente il carico consentito sul gancio traino **GA** ed il carico totale consentito del veicolo trainante **GK** anziché il valore **D**; in tal caso il valore **D** può essere così calcolato prendendo i valori nel libretto di manutenzione della vettura o nel libretto di immatricolazione:

$$D = \frac{9,81}{1000} \times \frac{(GA \times GK)}{(GA + GK)}$$

(D in [kN] / GA in [kg] / GK in [kg])

- Saque de las bicicletas transportadas eventuales sillas para niños, cestas, cubiertas para lluvia o cualquier otro elemento que pueda desprenderse o aumentar la resistencia aerodinámica.
- El número de bicicletas transportadas no debe superar el previsto para el modelo adquirido.
- Ninguna parte de las bicicletas cargadas (por ejemplo, manillares o pedales) debe quedar en la posición normal de uso; por el contrario, se deben plegar para evitar el peligro representado por las partes sobresalientes.
- Verifique que el portabicicletas esté correctamente instalado en el gancho de remolque y que las bicicletas estén fijadas según lo indicado en las instrucciones.
- El portabicicletas es idóneo exclusivamente para el transporte de bicicletas.
- Antes de partir, verifique el funcionamiento de las luces traseras. Verifique en particular el funcionamiento de las luces intermitentes.
- Mantenga limpias las conexiones (clavija del dispositivo y toma motriz), utilizando materiales adecuados si es necesario.
- No utilice ni enganche el portabicicletas al coche sin haber realizado antes la conexión eléctrica.
- Verifique que los cables eléctricos no estén dañados, que no puedan dañarse debido al contacto con otros elementos del vehículo y que no puedan cortarse accidentalmente.
- Los dispositivos de iluminación no están proyectados para ser sumergidos en agua.
- Las intervenciones importantes en la instalación eléctrica y en las conexiones deben ser realizadas por personal especializado.
- Aplique una copia de la matrícula en el portabicicletas con gancho de remolque.
- Tenga presente que, utilizando el portabicicletas con gancho de remolque, las partes sobresalientes traseras del vehículo son diferentes de las normales. Por lo tanto, preste atención durante las maniobras de marcha atrás y estacionamiento, debido a la mayor longitud del vehículo. Recuerde que el peso de las bicicletas cargadas en el portabicicletas cambia el comportamiento del coche, sobre todo con viento lateral, en las curvas y en las frenadas. Respete los límites de velocidad establecidos por el código de circulación, prestando atención a las condiciones de la calle y evitando sacudidas.
- Si la visibilidad trasera resulta obstruida, equipe el vehículo con espejos retrovisores adecuados, que garanticen una conducción segura.
- Para evitar daños, si la tapa del maletero/puerta trasera está dotada de apertura automática, dicha función se debe utilizar con la máxima atención.
- Las luces traseras del coche quedan total o parcialmente cubiertas en caso de uso del dispositivo con gancho de remolque; por este motivo, el portabicicletas está dotado de un sistema de luces y matrícula adicionales. El número y el tipo de luces necesarias dependen de la fecha de primera matriculación del vehículo, tal como se indica a continuación:

MATRICULACIÓN ANTES DEL 01.01.1987	MATRICULACIÓN ENTRE EL 01.01.1987 Y EL 31.12.1990
No es obligatorio el funcionamiento de las luces antiniebla ni de las luces de marcha atrás del portabicicletas con gancho de remolque.	No es obligatorio el funcionamiento de las luces antiniebla, pero es obligatorio el funcionamiento de las luces de marcha atrás del portabicicletas con gancho de remolque.
Está permitido el uso de una clavija de 7 polos.	Está permitido el uso de una clavija de 7 polos. En caso de incompatibilidad entre la toma y la clavija, utilice los adaptadores disponibles en el mercado.

MATRICULACIÓN DESPUÉS DEL 01.01.1991	MATRICULACIÓN DESPUÉS DEL 01.01.1998
Todas las luces del portabicicletas con gancho de remolque deben funcionar. Las luces antiniebla y las luces de marcha atrás son obligatorias.	El portabicicletas con gancho de remolque no debe cubrir las luces de la tercera luz de freno. La tercera luz de freno debe ser visible; en caso contrario, debe estar replicado en el portabicicletas con gancho de remolque.
Es necesario el uso de un relé o de una toma eléctrica con un sistema de desconexión que garantice que las luces antiniebla del vehículo se apaguen automáticamente cuando se utiliza el gancho de remolque y se enciendan al extraer la clavija (solo la clavija de 13 polos cumple este requisito).	

- Si la carga sobresale más de 40 cm con respecto a la superficie de las luces del portabicicletas con gancho de remolque, es necesario indicarlo visualmente.
- Después de un breve recorrido y a intervalos regulares durante el viaje, controle todos los elementos de fijación del portabicicletas.
- Compruebe la distancia entre el portabicicletas, las bicicletas y el/los tubo/s de escape, para evitar eventuales daños imputables al calor.
- Para aumentar la seguridad vial y para un correcto ahorro energético, desmonte el portabicicletas cuando no se utiliza.
- Se prohíbe modificar el portabicicletas y sus componentes. Sustituya inmediatamente cualquier parte desgastada o deteriorada utilizando exclusivamente repuestos originales.
- La limpieza del portabicicletas puede hacerse con agua templada y/o un producto detergente para automóviles. Guarde el portabicicletas a temperaturas moderadas y protegido de la humedad.

El fabricante no es responsable de los daños debido al uso incorrecto de este producto, ni del incumplimiento del código de circulación.

El fabricante es responsable exclusivamente de los defectos de fabricación del portabicicletas y de sus accesorios.

ES POSIBLE DESCARGAR EL DOCUMENTO DE HOMOLOGACIÓN DE NUESTRO SITIO WEB

www.peruzzosrl.com

EN LA FICHA TÉCNICA DEL PRODUCTO.

INSTRUKCJA MONTAŻU I ZASTOSOWANIA

Za każdym razem, gdy wykorzystuje się niniejszy produkt, należy pamiętać o niżej podanych informacjach: bagażnik rowerowy to produkt bezpieczny jeżeli jest wykorzystywany prawidłowo; jego nieprawidłowe użycie może przysporzyć szkód zarówno Państwu jak i innym, znajdującym się za Państwem, uczestnikom ruchu drogowego.

- 1) Umieścić korki **32** w kwadratowych rurach nośnych **25-26** (Rys. **A**).
- 2) Umieścić korki **23** w poręczach nośnych **27** (Rys. **A**) oraz w poręczy mocującej **31** (Rys. **D2**).
- 3) Zamontować uchwyty na koła **21** na poręczy nośnej **27** w miejscach odpowiadających rozmiarom roweru oraz przymocować je przy pomocy śrub **22**, nakrętek i podkładek **53** (Rys. **A**).
- 4) Przymocować poręcze nośne **27** do kwadratowych rur nośnych **25-26** przy pomocy śrub, nakrętek i podkładek **54** (Rys. **A**).
- 5) Przymocować kwadratową rurę **24** belki nośnej świateł **17** do kwadratowych rur nośnych **25-26** przy pomocy śrub, podkładek i nakrętek **51** (Rys. **A**).
- 6) Zamontować światła tylne **18** na belce nośnej świateł **17** oraz przymocować je przy pomocy podkładek i nakrętek **55** (Rys. **B**), zwracając szczególną uwagę by nie uszkodzić przewodów. Starannie przełożyć 13-stykową wtyczkę przez środkowy otwór belki nośnej świateł **17**.
- 7) Zamontować ramkę na tablicę rejestracyjną **19** na belce nośnej świateł **17** przy pomocy śrub **56**.
- 8) Przymocować zespół belki nośnej **17** do rury kwadratowej **24** przy pomocy śrub **20**, nakrętek i podkładek **52**, zwracając szczególną uwagę by uchwyt odchylający **5** dostał się do przewidzianego dla niego otworu (Rys. **C**).
- 9) Montaż poręczy mocującej **31**:
 - Odkręcić i zdjąć pokręta **36** oraz podkładki **57** z obydwu stron (Rys. **D1**);
 - Wykonać czynności **1** i **2** (Rys. **D2**);
 - Oprzeć poręcz mocującą **31** w miejscu przeznaczonym na tarcze regulacyjne **33**, a następnie przymocować ją przy pomocy podkładek **57** i pokręteł **36** (Rys. **D2**).

JAK ZAINSTALOWAĆ BAGAŻNIK ROWEROWY NA HAKU HOLOWNICZYM

Aby bezpiecznie zamontować bagażnik i uniknąć uszkodzeń samochodu, należy poprosić o pomoc jeszcze jedną osobę.

- 10) Wyjąć śrubę zabezpieczającą **13** z blokady mocującej **50** (Rys. **E**).
- 11) Odkręcać śrubę **8**, aż do całkowitego otwarcia się półkuli **14** (Rys. **E**).
- 12) Nałożyć blokadę mocującą **11** z otwartą półkulą **14** na kulę haka holowniczego **58** (Rys. **F**).
- 13) Dokręcać śrubę **8** przy pomocy załączonego klucza **12**, aż do zablokowania półkuli **14** na kuli haka holowniczego **58** (siła docisku ręcznego powinna wynosić przynajmniej **40 kg**) (Rys. **F**).

WAŻNE: Na koniec, zamontować śrubę zabezpieczającą **13** w blokadzie mocującej **50** (Rys. **F**), aby uniknąć możliwości ewentualnego, nieprzewidzianego otwarcia się.

TYLKO DLA ART. 668/4

- 14) Przymocować zaczepy taśm **40** do krawędzi drzwi tylnych pojazdu samochodowego, a następnie wprowadzić taśmy do klamer **39**, zwracając uwagę na to, czy kierunek ich wprowadzenia jest prawidłowy (Rys. **F1**).

WAŻNE: Sprawdzić napięcie taśm poprzez ich szarpnięcie. Sprawdzić napięcie taśm na początku jazdy i podczas postojów.

USTAWIANIE I MOCOWANIE ROWERÓW NA BAGAŻNIKU ROWEROWYM

- 15) Jako pierwszy na bagażniku, należy ustawić rower, który jest największy i najcięższy. Ustawić koła w uchwytach na koła **21** i oprzeć je o poręcz mocującą **31**. Przymocować rower do poręczy mocującej **5** przy pomocy taśmy mocującej **30** (Rys. **H1**). Przymocować koła przy pomocy taśm mocujących **37** (Rys. **G**). Upewnić się, odpowiednio naprężając taśmy, czy zostały one prawidłowo zamontowane.

- 16) Powtórzyć czynności opisane w punkcie **15** dla drugiego, trzeciego i czwartego roweru. Drugi i trzeci rower mocuje się do poręczy mocującej **31** przy pomocy drążków mocujących **15/16** (Rys. **H1**), natomiast czwarty przymocowuje się do trzeciego przy pomocy drążka mocującego **41** (Rys. **H2**).

WAŻNE: Dla bezpiecznego przewożenia ładunku, bagażnik rowerowy został wyposażony w taśmę **38**, której zadaniem jest przywiązanie wszystkich rowerów do poręczy mocującej **31**. Upewnić się, odpowiednio naprężając taśmę, czy została ona prawidłowo zamontowana.

ODCHYLENIE BAGAŻNIKA ROWEROWEGO (Rys. I/L/M)

- 17) Aby odchylić bagażnik, należy podtrzymywać go jedną ręką a drugą pociągnąć za uchwyt **5** (Rys. **I/L**). W celu uniknięcia obrażeń ciała oraz szkód materialnych, odchylanie bagażnika przez operatora powinno odbywać się z pomocą osoby trzeciej. Aby zamknąć bagażnik, należy podnieść go tak, aby uchwyt odchylający **5** został dobrze umieszczony w pozycji przewozowej (Rys. **M**).

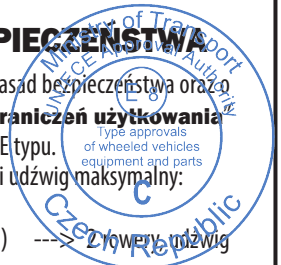
UWAGA – PRZEPISY BEZPIECZEŃSTWA

Prosimy o stosowanie się do niżej podanych zasad bezpieczeństwa oraz o przestrzeganie „Warunków, zaleceń i ograniczeń użytkownika” opisanych w świadectwie homologacyjnym WE typu.

- Ciężar własny bagażnika rowerowego "SIENA" i udźwig maksymalny:

- * Model **668** (10,85 kg) - **669** (10,65 kg.) ---> 2 rowery, udźwig maks. 34 kg.
- * Model **668/3** (13,56 kg.) - **669/3** (13,33 kg.) ---> 3 rowery, udźwig maks. 51 kg.
- * Model **668/4** (15,93 kg.) ---> 4 rowery, udźwig maks. 60 kg.

- Nigdy nie przekraczać dozwolonego udźwigu zainstalowanego haka holowniczego. Łączny ciężar bagażnika rowerowego oraz ładunku nigdy nie może przekraczać dozwolonego udźwigu. Utrzymywać powierzchnię kuli haka holowniczego w czystości usuwając ewentualne ślady zabrudzeń i oleju.
- Kierowca jest zawsze odpowiedzialny za przewożony ładunek i następnie również za przeprowadzanie kontroli w celu sprawdzenia prawidłowości zamocowania, zarówno w momencie wyjazdu, jak i w regularnych odstępach czasowych podczas jazdy.
- Zapoznać się z instrukcją obsługi samochodu i sprawdzić, czy są przestrzegane przytoczone specyfikacje odnoszące się do maksymalnego dopuszczalnego obciążenia tylnej osi.
- Sprawdzić, czy jest przestrzegana wartość **D** (maksymalny udźwig) haka holowniczego wskazana przez producenta samochodu lub haka holowniczego; wartość **D** wyrażona dla haka holowniczego musi być równa przynajmniej **(760 Kg)7,6 KN**; na hakach holowniczych starszego typu często jest wskazana tylko dopuszczalna wartość obciążenia wywieranego na hak holowniczy **G** i całkowite dopuszczalne obciążenie pojazdu holowniczego **G_k** zamiast wartości **D**; w takim przypadku wartość **D** może być obliczona na podstawie wartości wskazanych w książce serwisowej pojazdu samochodowego i w dowodzie rejestracyjnym:



$$D = \frac{9,81}{1000} \times \frac{(G_A \times G_K)}{(G_A + G_K)}$$

(D in [kN] / G_A in [kg] / G_K in [kg])

- Zdjąć z przewożonych rowerów ewentualne foteliki dla dzieci, kosze, pokrowce przeciwdeszczowe oraz wszelkie inne elementy mogące ulec oderwaniu się lub zwiększające opór powietrza.
- Ilość transportowanych rowerów nie może być wyższa od ilości przewidzianej dla zakupionego modelu.
- Żadna z części załadowanych rowerów, jak np. kierownica lub pedały, nie mogą być pozostawione w klasycznym położeniu do użytkowania, lecz powinny zostać złożone, w celu uniknięcia zagrożeń wywołanych przez wystające elementy.
- Upewnić się, czy bagażnik rowerowy został zamontowany prawidłowo na haku holowniczym i czy rowery zostały umocowane zgodnie z dostarczonymi wskazówkami.
- Bagażnik rowerowy nadaje się wyłącznie do przewozu rowerów.
- Przed wyruszeniem w drogę, należy sprawdzić prawidłowość działania tylnych świateł. W szczególności, należy sprawdzić działanie kierunkowskazów..
- Utrzymać złącza w czystości (wtyczka urządzenia i gniazdo wtyczkowe), stosując odpowiednie środki, gdy okaże się to konieczne.
- Nie użytkować i/lub nie sprzęgać bagażnika rowerowego z samochodem, jeżeli wcześniej nie zostało wykonane podłączenie elektryczne.
- Sprawdzić, czy kable elektryczne nie zostały uszkodzone oraz czy nie ma miejsca interferencja z innymi elementami pojazdu, lub czy nie mogłyby one zostać przypadkowo przecięte.
- W projekcie urządzeń świetlnych nie została przewidziana możliwość ich zanurzenia w wodzie.
- Ewentualne ważne operacje wykonywane na instalacji elektrycznej lub na złączach muszą być przeprowadzane przez wykwalifikowany personel.
- Zabezpieczyć odpowiednią replikę tablicy rejestracyjnej do umiejscowienia na bagażniku rowerowym montowanym na haku holowniczym.
- Należy mieć na uwadze to, że przy użytkowaniu bagażnika rowerowego mocowanego na haku holowniczym, wystające tylne części pojazdu są inne niż zazwyczaj, dlatego też trzeba zachować szczególną ostrożność podczas manewrów jazdy wstecznej i parkowania, gdyż z powodu większego wymiaru gabarytowego wzdłużnego pojazdu oraz ciężaru rowerów załadowanych na bagażniku rowerowym zmieniają się własności jezdne pojazdu, szczególnie przy wietrze bocznym, na zakręcie lub podczas hamowania; należy prowadzić pojazd respektując ograniczenia prędkości kodeksu drogowego, zwracając uwagę na warunki drogowe i unikając wstrząsów.
- Jeżeli widoczność z tyłu jest ograniczona, należy wyposażyć pojazd w odpowiednie lusterka wsteczne, które zapewnią bezpieczne prowadzenie pojazdu.
- Jeżeli pokrywa bagażnika/drzwi tylne są wyposażone w system automatycznego otwierania, w celu uniknięcia szkód materialnych, należy korzystać z tej funkcji zachowując szczególną ostrożność..
- W przypadku użytkowania bagażnika rowerowego montowanego na haku holowniczym światła tylne samochodu zostają całkowicie lub częściowo zasłonięte, dlatego nabyty przez Państwa bagażnik rowerowy został wyposażony w dodatkowy system świateł i w tablicę rejestracyjną. Ilość oraz rodzaj potrzebnych świateł są uzależnione od daty pierwszej rejestracji pojazdu, zgodnie z tym, co zostało wskazane poniżej:

**PIERWSZA REJESTRACJA W DNIU
01.01.1987 r.**

Nie jest obowiązkowe funkcjonowanie reflektorów przeciwmgłowych i świateł cofania bagażnika rowerowego mocowanego na haku holowniczym.

Jest dozwolone zastosowanie jednej 7 bolcowej wtyczki.

**REJESTRACJA PO
01.01.1991 r.**

Wszystkie światła bagażnika rowerowego mocowanego na haku holowniczym muszą być funkcjonujące. Reflektory przeciwmgłowe i światła cofania są obowiązkowe.

Jest konieczne użytkowanie przełącznika lub elektrycznego gniazda wtyczkowego z systemem odłączania, który zapewni to, że reflektory przeciwmgłowe automatycznie zgasną w przypadku użytkowania haka holowniczego, i które zostaną ponownie włączone jak tylko zostanie wyjęta wtyczka (Tylko 13 bolcowa wtyczka spełnia taki wymóg).

**REJESTRACJA POMIĘDZY
01.01.1987 I 31.12.1990 r.**

Nie jest obowiązkowe funkcjonowanie reflektorów przeciwmgłowych, ale jest obowiązkowe funkcjonowanie świateł cofania bagażnika rowerowego mocowanego na haku holowniczym.

Jest dozwolone zastosowanie 7 bolcowej wtyczki. W przypadku niedopasowania gniazda wtyczkowego do wtyczki należy zastosować odpowiednie adaptery dostępne w obrocie handlowym.

**REJESTRACJA PO
01.01.1998 r.**

Bagażnik rowerowy mocowany na haku holowniczym nie może zasłaniać trzecich świateł stopu. Trzecie światła stopu muszą być widoczne, w przeciwnym razie muszą zostać umieszczone na bagażniku rowerowym montowanym na haku holowniczym.

- Jeżeli ładunek wystaje na ponad 40 cm poza powierzchnię świateł bagażnika rowerowego montowanego na haku holowniczym, wówczas jest konieczne zasygnalizowanie tego w widoczny sposób.
 - Sprawdzać wszystkie elementy mocujące bagażnika rowerowego, początkowo już po przebyciu krótkiego odcinka drogi, a następnie w regularnych odstępach czasu.
 - Sprawdzić odległość pomiędzy bagażnikiem, rowerami i rurą/rurami wydechową/wydechowymi, w celu uniknięcia ewentualnych szkód mogących powstać na skutek wystawienia na działanie ciepła.
 - Aby zwiększyć bezpieczeństwo jazdy na drodze oraz ze względu na oszczędność energetyczną, należy zdemontować bagażnik rowerowy, gdy nie jest on wykorzystywany.
 - Zabrania się dokonywania przeróbek bagażnika oraz jego elementów składowych. Każda zużyta lub uszkodzona część powinna zostać bezzwłocznie zastąpiona oryginalną częścią zamienną.
 - Bagażnik rowerowy może być czyszczony przy pomocy ciepłej wody i/lub środka do mycia samochodu. Bagażnik rowerowy należy przechowywać w środowisku o umiarkowanej temperaturze i chronić go przed wilgocią.
- Producent nie bierze na siebie odpowiedzialności, ani za szkody powstałe na skutek nieprawidłowego użytkowania niniejszego produktu, ani za ewentualne zakwestionowanie przez kompetentne władze jego zgodności z kodeksem drogowym ze strony władz kompetentnych.**
- Producent jest odpowiedzialny wyłącznie za wady fabryczne bagażnika rowerowego oraz jego części uzupełniających.**

JEST MOŻLIWE POBRANIE DOKUMENTU HOMOLOGACYJNEGO ZAMIESZCZONEGO W KARCIE TECHNICZNEJ PRODUKTU Z NASZEJ STRONY INTERNETOWEJ

www.peruzzosrl.com

NÁVOD NA MONTÁŽ A POUŽÍVÁNÍ

Při používání tohoto výrobku je nutné mít na paměti níže uvedené informace: nosič jízdních kol je bezpečný výrobek, jestliže je používán správným způsobem. V případě, že je výrobek používán nesprávně, může způsobit škody nejenom vám, ale i ostatním účastníkům silničního provozu, kteří jedou za vámi.

- 1) Nasadte uzávěry **32** na čtyřhranné nosné trubky **25-26** (obr. **A**).
- 2) Nasadte uzávěry **23** na nosné rámy **27** (obr. **A**) a na upínací rám **31** (obr. **D2**).
- 3) Namontujte podložky **21** na nosný rám **27**, do polohy, která nejvíce odpovídá rozměrům vašeho kola. Upevněte je pomocí šroubů **22**, matic a podložek **53** (obr. **A**).
- 4) Připevněte nosné rámy **27** k čtyřhranným nosným trubkám **25-26** pomocí šroubů, matic a podložek **54** (obr. **A**).
- 5) Připevněte čtyřhrannou trubku **24** držáku na světla **17** k nosným čtyřhranným trubkám **25-26** pomocí šroubů, podložek a matic **51** (obr. **A**).
- 6) Namontujte zadní světla **18** na držák světel **17** a upevněte je pomocí podložek a matic **55** (obr. **B**). Dejte přitom pozor, abyste nepoškodili kabely. Ujistěte se, že jste protáhli 13-pólovou zástrčku otvorem ve středu držáku světel **17**.
- 7) Namontujte rám poznávací značky **19** na držák světel **17** a upevněte ho pomocí šroubů **56**.
- 8) Namontujte takto smontovaný držák světel **17** na čtyřhrannou trubku **24** a připevněte ho pomocí šroubů **20**, matic a podložek **52**. Dávejte pozor na to, aby se táhlo sklápěcího mechanismu **5** zasunulo do příslušné štěrbiny (obr. **C**).
- 9) Montáž upínacího rámu **31**:
 - Na obou stranách odšroubujte a sejměte rukojeti **36** a podložky **57** (obr. **D1**);
 - Proveďte kroky **1** a **2** (Obr. **D2**);
 - Položte upínací rám **31** na sedlo regulačních kol **33** a připevněte ho pomocí podložek **57** a rukojeti **36** (obr. **D2**).

INSTALACE NOSIČE NA TAŽNÉ ZAŘÍZENÍ

Pro bezpečnou instalaci nosiče a zamezení vzniku škod na vozidle doporučujeme využít pomoci další osoby.

- 10) Sejměte bezpečnostní šroub **13** z upínacího mechanismu **50** (obr. **E**).
 - 11) Šroubujte šroubem **8**, dokud se zcela neotevře polokoule **14** (obr. **E**).
 - 12) Nasadte upínací mechanismus **11** s otevřenou polokoulí **14** na kouli tažného zařízení **58** (obr. **F**).
 - 13) Utahujte šroub **8** daným šroubovákem **12** tak dlouho, dokud nedojde k zavření polokoule **14** na kouli tažného zařízení **58** (utahovací síla by měla být alespoň **40 kg**) (obr. **F**).
- UPOZORNĚNÍ:** Nakonec namontujte na upínací mechanismus **50** bezpečnostní šroub **13** (obr. **F**), čímž zabráníte nechtěnému otevření.

POUZE PRO ČL. 668/4

- 14) Vsuňte háky do pásků **40** na hranách zadních dveří vozidla a poté ve správném směru vsuňte řemeny do přezek **39** (obr. **F1**).
- DŮLEŽITÉ UPOZORNĚNÍ:** Zkontrolujte správné upevnění pásků tak, že jimi zacloumáte. Kontrolujte správné napnutí před vyjetím a během zastávek.

UMÍSTĚNÍ A UPEVNĚNÍ JÍZDNÍCH KOL NA NOSIČ

- 15) Umístěte na nosič nejdříve největší a nejtěžší jízdní kolo, umístěte kola na plastové podložky **21** a opřete kolo o svislý opěrný rám **31**. Poté jízdní kolo upevněte k opěrnému rámu **30** pomocí fixačního pásku **31** (obr. **H1**). Zajistěte kola pomocí fixačních pásků **37** (obr. **G**). Utáhněte pásky a ujistěte se, že je jízdní kolo k nosiči řádně připevněno.
 - 16) Zopakujte postup z bodu **15** i pro druhé, třetí a čtvrté jízdní kolo. Pro připevnění druhého a třetího jízdního kola k upevňovacímu držáku **31** použijte upevňovací ramena **15/16** (Obr. **H1**), zatímco čtvrté kolo je nutno připravit ke třetímu upevňovacímu ramenem **41** (Obr. **H2**).
- DŮLEŽITÉ UPOZORNĚNÍ:** Pro bezpečnější přepravu kol je nosič vybavený páskem **38** pro upevnění veškerých jízdních kol k upínacímu rámu **31**. Utáhněte pásek a ujistěte se, že je jízdní kolo správně namontováno.

NAKLÁPĚNÍ NOSIČE (Fig.I/L/M)

- 17) Pro naklopení nosiče přidržujte jednou rukou nosič a druhou rukou zatáhněte za táhlo sklápěcího mechanismu **5** (obr. **I/L**). Abyste se vyhnuli nehodám a škodám, doporučujeme využít při nakládání nosiče pomoci třetí osoby. Pro zavření nosiče ho zvedejte směrem nahoru, dokud se táhlo sklápěcího zařízení **5** nedostane do přepravní polohy (obr. **M**).

POZOR – BEZPEČNOSTNÍ PŘEDPISY

Kromě níže uvedených nařízení vás prosíme, abyste se řídili „**Podmínkami, radami a provozními omezeními**“, které jsou uvedené v certifikátu o schválení typu (ES schválení typu).

- Hmotnost nosičů „SIENA“ a maximální nosnost:

* Model **668** (10,85 kg) - **669** (10,65 kg.) ---> 2 jízdní kola, max. nosnost 34 kg.

* Model **668/3** (13,56 kg.) - **669/3** (13,33 kg.) ---> 3 jízdní kola, max. nosnost 51 kg.

* Model **668/4** (15,93 kg.) ---> 4 jízdní kola, max. nosnost 60 kg.

- Nikdy nepřekračujte schválenou nosnost nainstalovaného tažného zařízení. Celková hmotnost nosiče a břemene nesmí překročit schválenou nosnost. Udržujte povrch koule tažného zařízení v čistém stavu a v případě stop po špíně či oleji je odstraňte.
- Řidič je vždy zodpovědný za přepravovaná břemena, a proto je povinen pravidelně kontrolovat jejich správné upevnění nejenom před vyjetím, ale i během cesty.
- Přečtěte si návod k používání vozidla a zkontrolujte, jestli jsou dodrženy specifikace ohledně maximálního zatížení zadní nápravy.
- Zkontrolujte dodržení hodnoty **D** (maximální nosnost) tažného zařízení uvedené výrobcem automobilu nebo tažného zařízení; hodnota **D** vyjádřená pro tažné zařízení se musí rovnat alespoň (**760 kg**) **7,6 KN**; u starších tažných zařízení je obvykle uvedeno pouze přípustné zatížení tažného zařízení **G_A** a celkové zatížení tažného vozidla **G_K** (místo hodnoty **D**). V tomto případě je možné hodnotu **D** vypočítat pomocí hodnot uvedených v návodu k údržbě vozidla nebo v technické knize:

$$D = \frac{9,81}{1000} \times \frac{(G_A \times G_K)}{(G_A + G_K)}$$

(*D* in [kN] / *G_A* in [kg] / *G_K* in [kg])

- Sejměte z jízdních kol určených k přepravě případně namontované dětské sedačky košíky, pláštěnky či jiné prvky, které by se mohly uvolnit či zvýšit aerodynamický odpor.
- Počet přepravovaných kol nesmí překročit počet uvedený u zakoupeného modelu.
- Žádná část kol (např. řídítka nebo pedály) nesmí zůstat v poloze klasického používání, ale vše musí být složeno, aby se zabránilo nebezpečí.
- Ujistěte se, že je nosič správně nainstalovaný na tažném zařízení a že jsou jízdní kola upevněná v souladu s poskytnutými pokyny.
- Nosič je určený pouze pro přepravu jízdních kol.



- Před uvedením vozidla do provozu zkontrolujte dokonalou funkčnost zadních světel. Zkontrolujte především funkčnost směrových světel.
- Udržujte veškeré spojovací části v čistotě (kolík zařízení atd.) a případě potřeby zasáhněte za použití vhodných materiálů.
- Neoužívejte a/nebo nepřipojujte nosič k autu před provedením elektrického zapojení.
- Zkontrolujte případné poškození elektrických kabelů způsobené interferencí s dalšími elementy vozidla nebo jejich náhodné přestřížení.
- Osvětlovací zařízení nejsou navržena pro ponor do vody.
- Významnější zásahy na elektrickém rozvodu nebo přípojkách musí provést specializovaný pracovník.
- Zhotovte kopii poznávací značky a pověste ji na nosič jízdních kol na tažné zařízení.
- Připomínáme, že při použití nosiče jízdních kol na tažné zařízení je zadní část vozidla odlišná od normálu, a proto je nutné dávat mimořádný pozor při couvání a parkování nejenom kvůli délce vozidla, ale i proto, že váha jízdních kol upevněných na nosiči způsobuje změny chování auta a to především v případě bočního větru, brzdění nebo v zatáčkách; Při jízdě dodržujte rychlostní omezení v souladu se silničními pravidly a dávejte pozor na stav vozovky, abyste se vyhnuli přílišným vibracím a nárazům.
- Jestliže dojde k omezení zadní viditelnosti, vybavte vozidlo vhodnými zpětnými zrcátky pro zajištění bezpečné jízdy.
- Jestliže kapota/dveře disponují automatickým otvíráním, při používání této funkce buďte velmi opatrní, čímž se vyhnete případným škodám.
- V případě použití tažného zařízení jsou zadní světla auta zcela nebo částečně zakryta, a proto je nutné na nosič jízdních kol, který jste si zakoupili, namontovat pomocná světla a poznávací značku. Počet a typ potřebných světel závisí na datu první registrace vozidla:

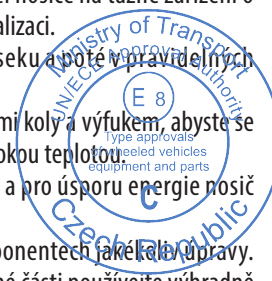
REGISTRACE PŘED 01.01.1987
Není povinné, aby byly funkční mlhovky a zpětná světla nosiče jízdních kol na tažné zařízení.
Je povoleno použití 7-pólové zástrčky.

REGISTRACE V OBDOBÍ OD 01.01.1987 DO 31.12.1990
Není povinné, aby byly funkční mlhovky, ale musí být funkční zpětná světla nosiče jízdních kol na tažné zařízení.
Je povoleno použití 7-pólové zástrčky. V případě nekompatibility mezi zásuvkou a zástrčkou použijte příslušné, běžně dostupné adaptéry.

REGISTRACE PO 01.01.1991
Musí být funkční všechna světla nosiče jízdních kol na tažné zařízení. Jsou povinné mlhovky a zpětná světla.
Je nutné použít relé nebo elektrickou zásuvku s odpojovacím systémem, aby došlo k automatickému vypnutí mlhovek vozidla v případě použití tažného zařízení a k jejich opětovnému zapnutí v případě odstranění zástrčky (tento požadavek splňuje pouze 13-pólová zástrčka).

REGISTRACE PO 01.01.1998
Nosič jízdních kol na tažné zařízení nesmí překrývat třetí brzdové světlo. Třetí brzdové světlo musí být viditelné; v opačném případě musí být nainstalováno i na nosiči kol na tažné zařízení.

- Jestliže břemeno přečnívá přes povrch světel nosiče na tažné zařízení o více než 40 cm, je nutné zajistit vizuální signalizaci.
- Zkontrolujte, nejprve po ujetí krátkého úseku a poté v pravidelných intervalech, veškeré upínací prvky nosiče.
- Zkontrolujte vzdálenost mezi nosičem, jízdními koly a výfukem, abyste se vyhnuli případným škodám způsobeným vysokou teplotou.
- Pro zvýšení bezpečnosti silničního provozu a pro úsporu energie nosič odmontujte, jestliže ho nepoužíváte.
- Je zakázáno provádět na nosiči a jeho komponentech jakékoli úpravy. Při výměně jakékoliv opotřeбенé či poškozené části používejte výhradně originální náhradní díly.
- Při čištění nosiče používejte vlažnou vodu a/nebo přípravky na čištění aut. Skladujte nosič při mírných teplotách a chraňte ho před vlhkostí.



Výrobce není zodpovědný za škody vzniklé nesprávným používáním tohoto výrobku nebo za přestupky, které vzniknou porušením silničních pravidel.

Výrobce je zodpovědný pouze za výrobní vady nosiče a jeho příslušenství.

HOMOLOGAČNÍ POTVRZENÍ SI MŮŽETE STÁHNOUT NA NAŠICH STRÁNKÁCH

www.peruzzosrl.com

UVNITŘ TECHNICKÉHO LISTU VÝROBKU.

NAVODILA ZA MONTAŽO IN UPORABO

Vsakič, ko uporabljate ta izdelek, je potrebno upoštevati spodaj navedene informacije: nosilec koles je varen izdelek, če ga uporabljate pravilno, v nasprotnem primeru, če ga slabo uporabljate, vam lahko povzroča škodo in poškoduje tiste, ki vam sledijo na cesti.

- 1) Vstavite čepa **32** v nosilne kvadratne cevi **25-26** (Slika **A**).
- 2) Vstavite čepa **23** v nosilne loke **27** (Slika **A**) in v pritrtilni lok **31** (Slika **D2**).
- 3) Montirajte ležišča za kolesa **21** na nosilni lok **27** v najbolj primernem položaju glede na mere vašega kolesa in jih pritrдите z vijaki **22**, maticami in podložkami **53** (Slika **A**).
- 4) Pritrdite nosilne loke **27** na nosilne kvadratne cevi **25-26** z vijaki, maticami in podložkami **54** (Slika **A**).
- 5) Pritrdite kvadratno cev **24** nosilca luči **17** na nosilne kvadratne cevi **25-26** z vijaki, podložkami in maticami **51** (Slika **A**).
- 6) Montirajte zadnje luči **18** na nosilec luči **17** in jih pritrдите s podložkami in maticami **55** (Slika **B**) in pri tem pazite, da ne poškodujete kablov. Napeljite 13 polni vtikač skozi glavno luknjo, ki je na nosilcu luči **17**.
- 7) Montirajte nosilec za registrsko tablico **19** na nosilec luči **17** in ga pritrдите z vijaki **56**.
- 8) Montirajte sklop nosilca luči **17** na kvadratno cev **24** in ga pritrдите z vijaki **20**, maticami in podložkami **52** in pri tem pazite, da se kavelj za nagibanje **5** vtakne v predvideno odprtino (Slika **C**).
- 9) Montaža pritrtilnega loka **31**:
 - Odvite in odstranite držala **36** in podložke **57** iz obeh strani (Slika **D1**);
 - Vykonaite kroky **1** a **2** (Slika **D2**);
 - Naslonite pritrtilni lok **31** na ležišča kolesčkov za reguliranje **33**, in ga potem pritrдите s podložkami **57** in držali **36** (Slika **D2**).

KAKO NASTAVITI NOSILEC KOLES NA VLEČNI KLJUKI

Za varno montažo nosilca koles in da ne bi poškodovali vozila, bi bilo dobro prositi nekoga, da nam pomaga.

- 10) Odstranite varnostni vijak **13** iz pritrtilnega bloka **50** (Slika **E**).
 - 11) Odvite vijak **8**, dokler se polkrogla ne odpre popolnoma **14** (Slika **E**).
 - 12) Naložite pritrtilni blok **11** z odprto polkroglo **14** na glavo vlečne kljuke **58** (Slika **F**).
 - 13) Zaprite vijak **8** s ključem, ki je zraven priložen **12**, dokler ne boste zablokirali polkrogle **14** na glavo vlečne kljuke **58** (ročna sila naj bi znašala vsaj **40 Kg**). (Slika **F**).
- POMEMBNO:** Montirajte potem varnostni vijak **13** na pritrtilni blok **50** (Slika **F**), da bi se izogibali nenamernega odpiranja.

AMO ZA ART. 668/4

- 14) Vtaknite kavlje za jermene **40** na rob zadnjih vrat avtomobila, potem pa vtaknite jermene v zaponke **39** in pri tem pazite na pravilno smer vhoda (Slika **F1**).
- POMEMBNO:** Preverite stanje jermenov tako, da jih sunkovito potegnete. Preverite napetost na začetku potovanja in med postanki.

NAMESTITEV IN PRITRDITEV KOLES NA NOSILEC KOLES

- 15) Najprej namestite na nosilec koles največje in najteže kolo, postavite kolesa v ležišča za kolo **21** in ga naslonite na pritrtilni lok **31**. Pritrdite kolo s pritrtilnim jermenom **30** na pritrtilni lok **31** (Slika **H1**). Pritrdite kolesa s pritrtilnimi jermeni **37** (Slika **G**). Prepričajte se, z zategovanjem jermenov, da so le-ti pravilno montirani.
 - 16) Ponovite celoten postopek **15** za drugo, tretje in četrto kolo. Drugo in tretje kolo sta pritrjeni na pritrtilni lok **31** s pritrtilnimi ročicami **15/16** (Slika **H1**), medtem ko je četrto kolo pritrjeno na tretje s pritrtilno ročico **41** (Slika **H2**).
- POMEMBNO:** Za varno prevažanje tovora ima nosilec koles jermen **38**, ki mora vsa kolesa privezati na pritrtilni lok **31**. Prepričajte se, z zategovanjem jermena, da je le-ta pravilno montiran.

NAGIBANJE NOSILCA KOLES (Slika I/L/M)

- 17) Pri nagnjenju nosilca koles ga dvignite z eno roko, medtem ko z drugo vlečete kavelj **5** (Slika **I/L**). Da ne bi prišlo do poškodb ali okvar, bi moral uporabnik izvajati nagibanje nosilca koles s pomočjo tretje osebe. Za zapiranje je potrebno nosilec koles dvigovati, dokler se kavelj za nagibanje **5** vstavi varno v prometni položaj (Slika **M**).

POZOR – VARNOSTNI PREDPISI

Poleg tistega, kar je navedeno v nadaljevanju, vas prosimo, da upoštevate "Pogoje, nasvete in omejitve uporabe", ki so navedeni v certifikatu o homologaciji tipa.

- Lastna teža nosilca koles „SIENA“ in največja nosilnost:

- * Model **668** (10,85 kg) - **669** (10,65 kg.) ---> 2 kolesa, maks. nosilnost 34 kg.
- * Model **668/3** (13,56 kg.) - **669/3** (13,33 kg.) ---> 3 kolesa, maks. nosilnost 51 kg.
- * Model **668/4** (15,93 kg.) ---> 4 kolesa, maks. nosilnost 60 kg.

Nikoli ne prekoračite dovoljene nosilnosti za vgrajeno vlečno kljuko. Skupna teža nosilca koles in tovora ne sme nikoli prekoračiti dovoljene nosilnosti. Skrbite, da površina glave vlečne kljuke ostane čista in odstranite morebitne sledi umazanije ali olja.

- Voznik je vedno odgovoren za tovor, ki ga prevažata in torej tudi, da naredi kontrolo in preveri, ali je tovor primerno pritrjen tako na začetku poti kot, v rednih intervalih, med potjo.
- Poglejte priročnik za avto in preverite, ali so upoštevane specifikacije, ki so navedene za največjo dovoljeno maso na zadnji osi.
- Preverite, ali je upoštevana vrednost **D** (največja nosilnost) za vlečno kljuko, kot jo navaja proizvajalec avta ali vlečne kljuke; vrednost **D**, ki je izražena za vlečno kljuko, mora znašati vsaj **(760 Kg)7,6 KN**; najstarejše vlečne kljuke pogosto navajajo samo dovoljeno maso na vlečni kljuki **G_A** in skupno dovoljeno maso za vlečno vozilo **G_K** namesto vrednosti **D**; v tem primeru se vrednost **D** lahko izračuna z upoštevanjem vrednosti, ki so navedene v knjižici za vzdrževanje vozila ali v potrdilu o registraciji:

$$D = \frac{9,81}{1000} \times \frac{(G_A \times G_K)}{(G_A + G_K)}$$

(*D* in [kN] / *G_A* in [kg] / *G_K* in [kg])

- Odstranite od koles, ki jih prevažate, morebitne otroške sedeže, košare, dežna pokrivala ali katerikoli drug element, ki bi se lahko odstranil ali povečal aerodinamično napetost.
- Število koles, ki jih prevažate ne sme presegati tistega, ki je predvideno za tisti model, ki je bil kupljen.
- Na kolesih, ki jih prevažate noben del ne sme ostati v položaju za klasično uporabo, kot na primer krmila ali pedale, ampak je treba le-te prepogniti, da se izognete nevarnih štrlin.
- Prepričajte se, da je nosilec koles pravilno montiran na vlečni kljuki in da so kolesa pritrjena tako, kot je prikazano v navodilih.



- Nosilec koles je primeren le za prevoz koles.
- Preden se odpravite, preverite, ali brezhibno delujejo zadnje luči; preverite, še posebej, delovanje smernih puščic.
- Ohranite čiste vse povezave (vtikač naprave in vlečna vtičnica) in, po potrebi, posredujte z ustreznimi materiali.
- Ne uporabljajte in/ali privežite nosilca koles na avto, če niste prej naredili električne povezave.
- Preverite, ali so električni kabli poškodovani ali bi lahko bili zaradi motenj z drugi elementi vozila ali so bili naključno prerezani.
- Svetlobne naprave niso bile načrtovane za potopitev v vodo.
- Morebitna popravila v zvezi z električno napeljavo in povezavami, lahko izvajajo le strokovni delavci.
- Poskrbite za dodaten nosilec za registrsko tablico, ki ga boste dali na nosilec koles na vlečni kljuki.
- Zapomnite si, da zadnji del vozila štrli različno od običajno, če uporabljate nosilec koles na vlečni kljuki, pazite, torej, pri vzvratni vožnji in med parkiranjem, ker je vozilo daljše zaradi vgrajenega nosilca, upoštevajte, da teža koles, ki so naložena na nosilu koles, spreminja način, kako voziti avto v primeru stranskega vetra, na ovinku ali pri zaviranju; pri vožnji spoštujte hitrostne omejitve v cestnem prometu in pazite na razmere na cestah in se izogibajte nenadnih sunkov.
- Če je onemogočen pogled nazaj iz vozila je potrebno vozilo opremiti s primernimi vzvratnimi ogledali, ki omogočajo varno vožnjo.
- Če pokrov/zadnja vrata imajo funkcijo za avtomatsko odpiranje, je potrebno to uporabljati zelo previdno, da ne pride do poškodb.
- Zadnje luči vozila so v celoti ali delno zatemnjene zaradi uporabe naprave na vlečni kljuki, iz tega razloga pa ima nosilec koles, ki ste ga kupili, dodatni sistem za luči in registrsko tablico. Število in tipologija potrebnih luči sta odvisna od datuma prve registracije kot v nadaljevanju:

REGISTRACIJA PRED 01.01.1987	REGISTRACIJA MED 01.01.1987 IN 31.12.1990
Ni obvezno, da delujejo meglenke in vzvratne luči na nosilcu koles na vlečni kljuki.	Ni obvezno, da delujejo meglenke ampak je obvezno, da delujejo vzvratne luči na nosilcu koles na vlečni kljuki.
Dovoljena je uporaba 7 polnega vtikača.	Dovoljeno je uporabiti 7 polni vtikač. V primeru nekompatibilnosti med vtičnico in vtikačem uporabljajte ustrezne adapterje, ki so na trgu.

REGISTRACIJA PO 01.01.1991	REGISTRACIJA PO 01.01.1998
Vse luči nosilca koles na vlečni kljuki morajo biti v delujočem stanju. Meglenke in zadnje luči so obvezne.	Nosilec koles na vlečni kljuki ne sme pokrivati tretje zavorne luči. Tretja zavorna luč mora biti vidna, v nasprotnem primeru je potrebno postaviti še eno luč na nosilcu koles na vlečni kljuki.
Potrebna je uporaba releja ali električne vtičnice s sistemom prekinitve, ki omogoča, da se meglenke vozila avtomatično ugasnejo v primeru uporabe vlečne kljuke in se ponovno prižgejo, ko se izključi vtikač (Samo 13 polni vtikač izpolnjuje to zahtevo).	

- V primeru, da tovor štrli več kot 40 cm čez površino luči, ki so na nosilcu koles na vlečni kljuki, potem ga je potrebno vidno označiti.
- Preverite, na začetku in po kratki vožnji, in kasneje v rednih intervalih, vse pritrdilne elemente nosilca koles.
- Preverite razdaljo med nosilcem koles, kolesi in izpušni cevi/izpušnimi cevmi, da bi se izogibali morebitnih poškodb zaradi toplote.
- Za večjo varnost na cesti in za pravilno varčevanje z energijo, odstranite nosilec koles, ko ga ne uporabljate.
- Prepovedano je spreminjati nosilec koles in njegove sestavne elemente. Takoj zamenjajte kakršenkoli obrabljen ali poškodovan del izključno z originalnimi rezervnimi deli.
- Nosilec koles lahko čistite z mlačno vodo in/ali čistilnega sredstva za avto. Shranjujte nosilec koles pri zmernih temperaturah in zaščitite ga pred vlago.

Proizvajalec ni odgovoren za škodo zaradi nepravilne rabe tega izdelka, ali za kršenje cestno-prometnih predpisov, ki ga morebiti lahko ugotavljajo pristojne oblasti.

Proizvajalec je odgovoren samo za tovarniške napake nosilca koles in njegovih dodatnih sestavnih delov.

LAHKO SI PRENESITE DOKUMENT ZA HOMOLOGACIJO IZ NAŠE SPLETNE STRANI

www.peruzzosrl.com

ZNOTRAJ PODATKOVNE KARTICE ZA IZDELEK

INSTRUÇÕES PARA A MONTAGEM E EMPREGO

Cada vez que se usa este produto é preciso respeitar as informações abaixo escritas. O porta ciclo é um produto seguro se for usado corretamente, pelo contrário se usado mal pode causar danos a vocês ou a outros que vos estejam seguindo na estrada.

- 1) Pôr as tampas **32** nos tubos quadrados portantes **25-26** (fig. **A**).
- 2) Pôr as tampas **23** nos arcos portantes **27** (fig. **A**) e no arco de fixagem **31** (fig. **D2**).
- 3) Montar os encaixes roda **21** no arco portante **27** nas posições mais adaptas às dimensões da vossa bicicleta fixando-os com os parafusos **22** com porquinhas e anilhas **53** (fig. **A**).
- 4) Fixar os arcos portantes **27** aos tubos quadrados portantes **25-26** com os parafusos, porquinhas e anilhas **54** (fig. **A**).
- 5) Fixar o tubo quadrado **24** da barra portafaróis **17** aos tubos quadrados portantes **25-26** com os parafusos, anilhas e porquinhas **51** (fig. **A**).
- 6) Montar os faróis posteriores **18** na barra portafaróis **17** fixando-as com anilhas e porquinhas **55** (fig. **B**) fazendo atenção a não causar danos aos cabos. Fazer atenção de fazer passar a ficha de 13 polos pelo interior do furo central da barra portafaróis **17**.
- 7) Montar o portamatricula **19** na barra portafaróis **17** fixando-a com parafusos **56**.
- 8) Montar o grupo barra portafaróis **17** ao tubo quadrado **24** fixando-o com os parafusos **20** e porquinhas e anilhas **52**, fazendo atenção que o gancho de inclinação **5** se infie na frincha predisposta (fig. **C**).
- 9) Montagem do arco de fixagem **31**:
 - Desaparafusar e tirar as maoseiras **36** e as anilhas **57** de ambos os lados (fig. **D1**);
 - Efetuar as operações **1** e **2** (Fig. **D2**);
 - Apoiar o arco de fixagem **31** nas rodas de regulação **33**, e fixar-lo com as anilhas **57** e as maoseiras **36** (fig. **D2**).

COMO INSTALAR O PORTACICLO NO GANCHO DE TRAÇÃO

Para a montagem em segurança do portaciclo e para evitar danos à viatura, deve-se pedir ajuda a outra pessoa.

- 10) Tirar os parafusos de segurança **13** do bloco de fixagem **50** (fig. **E**).
 - 11) Desaparafusar os parafusos **8** até à completa abertura da semiesfera **14** (fig. **E**).
 - 12) Aplicar o bloco de fixagem **11** com a semiesfera aberta **14** na esfera do gancho de tração **58** (fig. **F**).
 - 13) Apertar o parafuso **8** com a chave em dotação **12** até ao bloqueamento da semiesfera **14** à esfera do gancho de tração **58** (a força manual deve ser pelo menos par a **40 kg**). (fig. **F**).
- IMPORTANTE:** Montar por fim o parafuso de segurança **13** no bloco de fixagem **50** (fig. **F**) para evitar eventuais aberturas não intencionais.

SO' PARA ART. 668/4

- 14) Infiar os ganchos das correias **40** nas beiras da porta do autoveiculo, e depois infiar as correias nas fivelas **39** fazendo atenção ao justo sentido da entrada (fig. **F1**).
- IMPORTANTE:** Verificar a segurança das correias puxando por elas. Controlar a tenção no inicio da viagem e durante as paragens.

POSICIONAMENTO E FIXAGEM DAS BICICLETAS NO PORTACICLO

- 15) Colocar no portaciclo em primeiro lugar a bicicleta mais grande e mais pesada, meter as rodas nos alojamentos roda **21** e apoiar-la contra o arco de fixagem **31** fixar a bicicleta com a correia de fixagem **30** ao arco de fixagem **31** (fig. **H1**) fixar as rodas com as correias de fixagem **37** (fig. **G**). Assegurar-se esticando suficientemente as correias que estas estejam montadas corretamente.

- 16) Repetir as operações **15**) para a segunda e terceira bicicleta (se prevista). A segunda e a terceira bicicleta são fixadas ao arco de fixagem **31** com os braços de fixagem **15/16** (fig. **H1**) enquanto a quarta vai fixada à terceira com o bracinho de fixagem **41** (fig. **H2**).

IMPORTANTE: Para uma maior segurança o portabici é fornecido da correia **38** para amarrar todas as bicicletas ao arco de fixagem **31** assegurar-se esticando suficientemente a correia che esteja montada corretamente.

INCLINAÇÃO DO PORTACICLO (Fig.I/L/M)

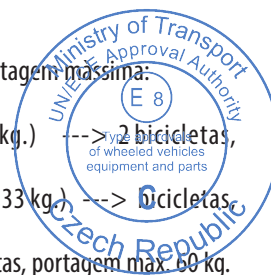
- 17) Para inclinar o portaciclo levantar-lo com uma mão e com a outra puxar o gancho **5** (fig. **I/L**). Para evitar de se magoar e de causar danos è melhor pedir ajuda a uma terceira pessoa. Para a fechagem o portaciclo tem que se levantar até quando o gancho de inclinação **5** se infia em maneira segura na posição de transporte (fig. **M**).

ATENÇÃO-NORMAS DE SEGURANCA

Além de quanto exposto em seguida, pedimos para observar "**CONDICÕES, CONSELHOS E LIMITES DE USO**" como no certificado de prova para a omologação CE do tipo.

- Peso proprio do portabicicletas "SIENA" e portagem máxima:

- * Modelo **668** (10,85 kg.) - **669** (10,65 kg.) ---> 2 bicicletas, portagem max. 34 kg.
- * Modelo **668/3** (13,56 kg.) - **669/3** (13,33 kg.) ---> 3 bicicletas, portagem max. 51 kg.
- * Modelo **668/4** (15,93 kg.) ---> 4 bicicletas, portagem max. 60 kg.



- Nunca ultrapassar a portagem consentida pelo gancho de tração instalado. O peso completo do portabicicletas e da carga nunca devem ultrapassar a portagem consentida. Manter a superfície da esfera do gancho de tração limpa eliminando traças de sujo ou óleo.
- O condutor è sempre responsável pelo cargo transportado e por isso também de efetuar un control a fim de verificar a adequada fixagem seja no momento da partida, seja durante a viagem a intervalos regulares.
- Consultar o manual do automóvel e verificar as indicações específicas em respeito ha carga maxima consentida no eixo posterior.
- Verificar o respeito do valor **D** (portagem máxima) do gancho de tração indicado pelo produtor do automóvel e do gancho de tração; O valor **D** esprimido para o gancho de tração deveria ser par ou pelo menos **(760kg.)7,6 KN**; os ganchos de tração mais velhos a maior parte das vezes indicam somente o cargo consentido no gancho tração **GA** e o cargo total consentido pelo veiculo trainante **GK** invès do valor **D**; em tal caso o valor **D** pode ser assim calculado pegando os valores do librete de manutenção da viatura e do librete de matriculação.

$$D = \frac{9,81}{1000} \times \frac{(G_A \times G_K)}{(G_A + G_K)}$$

(D in [kN] / G_A in [kg] / G_K in [kg])

- Desmontar das bicicletas transportadas eventuais cadeirinhas de criança, cestinhos, coberturas para a chuva ou qualquer outra coisa que possa destacar-se ou aumentar a resistencia aerodinamica.
- O numero de bicicletas transportadas não deve ultrapassar aquele previsto em base ao modelo comprado.
- Nenhuma parte das bicicletas carregadas, como por esemplo o guidador ou os pedais, devem ser deixados na posição de utilizzo classico, vão dobrados para evitar pontas perigosas.
- Assegurar-se que o portabicicletas esteja montado corretamente no gancho de tração e que as bicicletas estejam fixadas segundo as instruções fornecidas. Viajar respeitando os limites de velocidade do codigo da estrada, pondo atenção às condições da estrada e evitando solavancos.
- O portabicicletas è idoneo sò para o transporte de bicicletas.
- Antes de partir controlar o completo funcionamento das luzes posteriores, verificar, em particular, o funcionamento dos piscas direcionais.
- Manter limpas as ligações (ficha dispositivo e tomada motriz), intervindo com materiais apropriados onde fôr necessário.
- Não utilizar ou aganchar o portabici ao automòvel sem ter feito antes a ligação elétrica.
- Verificar o bom estado dos cavos elètricos, que não tenham interferencia com outros elementos do veiculo e que de qualquer maneira não sejam cortados accidentalmente.
- Os dispositivos de iluminação não são projetados para ser metidos debaixo de água.
- Eventuais intervenções rilevantes no implante el trico e nas ligações devem ser feitos por pessoal especializado.
- Proveder com uma adequada còpia da chapa do carro, da aplicar no portabici gancho tração.
- Recordar-se que com o portabici gancho tração os volumes posteriores do veiculo são deferentes em respeito ao normal, por isso fazer atenção nas manòvras de marcha atràz e de estacionamento a causa do maior volume em comprimento do veiculo.
- Ter presente que o peso das bicicletas carregadas no portabicicletas muda o comportamento da guidabilidade do veiculo em presença de vento lateral, travagens e em curva.
- Se a visual posterior resulta obstruida, equipar o veiculo com espelhos retrovisores adequados que possam garantir uma guia em segurança.
- A fim de evitar danos, se a porta posterior è dotada de abertura automatica, devem utilizar esta função com muita atenção.
- As luzes posteriores do autoveicolo veem completamente ou parcialmente cobertas em caso de utilizzo do dispositivo gancho traino por este motivo o portabici que compraram està dotado de um ulterior sistema de luzes e chapa. O numero e o tipo de luzes necessarias dependem da data da prima matriculação do veiculo segundo quanto segue:

MATRICULAÇÃO ANTES DE 01.01.1987	MATRICULAÇÃO ENTRE O 01.01.1987 E 31.12.1990
Não è obligatorio o funziona- mento das luzes antinevoeiro e das luzes de marcha atràz do portabici gancho tração.	Não è obligatorio o funziona- mento das luzes antinevoeiro mas è obligatorio o funziona- mento das luzes de marcha atràz do portabici gancho tração.
E' consentido o uso de uma a 7 polos.	E' consentido o uso de uma a 7 polos. Em caso de incompati- bilidade entre a tomada e a ficha, utilizar os adaptadores que se encontram em comèrcio.

MATRICULAÇÃO DEPOIS DE 01.01.1991	MATRICULAÇÃO DEPOIS DE 01.01.1998
Todas as luzes do portabici gancho tração devem ser funcionantes. Luzes antinevoeiro e luzes de marcha atràz são obrigatòrias.	O portabici gancho tração não deve cobrir as luzes do terceiro stop. O terceiro stop deve ser visivel em caso contràrio deve ser repetido no portabici gancho tração.
E' necessàrio o utilizzo de um relè ou de uma tomada elètrica com um sistema de desligamento que assegure que as luzes antine- voeiro do veiculo se apaguem automaticamente em caso de utilizo do gancho tração e que se acendam apenas vem desligada a ficha. (Sò a ficha a 13 polos corre- sponde a tal requisito).	

- Se o cargo projeta mais de 40 cm. além da superfície das luzes do portabici gancho tração, então è necessàrio assinalar-le visivamente.
- Controlar inicialmente depois de um breve percurso, e sucessivamente a intervalos regulares, todos os elementos de fixagem do portabici bicicletas.
- Fazer atenção nas marchas atràz e nos estacionamentos a causa do maior volume de transporte .
- Verificar a distancia entre o portabicicletas, as bicicletas e o tubo de escape, para evitar eventuais danos causados pelo calor.
- Para aumentar a segurança estradal e para un correto poupar energetico, desmontar o portabicicletas quando não vem utilizado.
- E' proibido modificar o portabicicletas e os seus componentes. Substituir imediatamente qualquer parte estragada ou danejada exclusivamente com partes originais.
- A limpeza do portabicicletas pode ser feita com água morna e/ou um produto detergente para automovel. Guardare o portabicicletas a uma temperatura moderada e ao abrigo da umidade.

O fabricante não è responsavel dos danos causados pelo mau uso deste produto, nem de eventuais reclames ao codigo da estrada da parte das autoridades competentes.

O fabricante è responsavel somente dos defeitos de fabricação do portabicicletas e dos assessórios.

E' POSSIVEL DESCARREGAR O DOCUMENTO DE OMOLOGAÇÃO DO NOSSO SITE:

www.peruzzosrl.com

NO INTERIOR DA FICHA TÈCNICA DO PRODUTO.

INSTRUCTIES VOOR MONTAGE EN GEBRUIK

Hou rekening met de onderstaande aanbevelingen telkens u dit product gebruikt: de fietsenhouder is een veilig product indien hij correct wordt gebruikt. In geval van een verkeerde gebruikswijze, kan het product schade berokkenen aan uzelf en aan andere weggebruikers die achter u rijden.

- 1) Plaats de doppen **32** in de vierkante draagbuizen **25-26** (Fig. **A**).
- 2) Plaats de doppen **23** in de draagbogen **27** (Fig. **A**) en in de bevestigingsboog **31** (Fig. **D2**).
- 3) Monteer de wielsteunen **21** op de draagboog **27** op de positie die het best geschikt is voor de afmetingen van uw fiets, met behulp van de schroeven **22**, moeren en ringetjes **53** (Fig. **A**).
- 4) Bevestig tevens de draagbogen **27** aan de vierkante draagbuizen **25-26** met behulp van de schroeven, moeren en ringetjes **54** (Fig. **A**).
- 5) Bevestig de vierkante buis **24** van de lichtstang **17** aan de vierkante draagbuizen **25-26** met behulp van de schroeven, moeren en ringetjes **51** (Fig. **A**).
- 6) Monteer de achterlichten **18** op de lichtstang **17** met behulp van de ringetjes en moeren **55** (Fig. **B**), maar let op dat de bedrading niet wordt beschadigd. Zorg ervoor dat u de 13-polige stekker door de centrale opening van de lichtstang **17** brengt.
- 7) Monteer de kentekenplaatsteun **19** op de lichtstang **17** met behulp van de schroeven **56**.
- 8) Monteer de lichtstang **17** aan de vierkante buis **24** met behulp van de schroeven **20**, de moeren en ringetjes **52**. Let op dat de stelhaak **5** in de daarvoor bestemde opening terecht komt (Fig. **C**).
- 9) Montage van de bevestigingsboog **31**:
 - Draai de draaiknoppen **36** en ringetjes **57** van beide zijden los en verwijder ze (Fig. **D1**);
 - Voer de handelingen **1** en **2** uit (Fig. **D2**);
 - Plaats de bevestigingsboog **31** in de zitting van de stelwielletjes **33** en bevestig hem vervolgens met de ringetjes **57** en draaiknoppen **36** (Fig. **D2**).

HOE DE FIETSENHOUDER MONTEREN OP DE TREKHAAK

Om de fietsenhouder op een veilige wijze te monteren en schade te vermijden aan uw voertuig, heeft u de bijstand van een andere persoon nodig.

- 10) Verwijder de borgschroef **13** uit het bevestigingsblok **50** (Fig. **E**).
 - 11) Draai de schroef **8** los zodat de halve-bol **14** volledig open staat (Fig. **E**).
 - 12) Breng het bevestigingsblok **11** met de openstaande halve-bol **14** aan op de bol van de trekhaak **58** (Fig. **F**).
 - 13) Draai de schroef **8** vast met de bijgeleverde sleutel **12** totdat de halve-bol **14** geblokkeerd zit op de bol van de trekhaak **58** (oefen een manuele kracht uit van minstens **40 kg.**) (Fig. **F**).
- BELANGRIJK:** Draai tot slot de borgschroef **13** vast op het bevestigingsblok **50** (Fig. **F**) om mogelijke ongewenste opening te vermijden.

ENKEL VOOR ART. 668/4

- 14) Plaats de haken van de riemen **40** op de randen van de kofferklep van uw voertuig. Breng dan de riemen door de gespen **39** langs de correcte zijde (Fig. **F1**).
- BELANGRIJK:** : Controleer dat de riemen goed bevestigd zitten door eraan te trekken. Controleer de spanning op de riemen aan het begin van de reis en tijdens de haltes.

PLAATSING EN BEVESTIGING VAN FIETSEN OP DE FIETSENHOUDER

- 15) Plaats allereerst de grootste en zwaarste fiets op de fietsenhouder: plaats de wielen in de wielsteunen **21** en plaats de fiets tegen de bevestigingsboog **31**. Bevestig de fiets met de bevestigingsriem **30** aan de bevestigingsboog **31** (Fig. **H1**). Bevestig de wielen met de bevestigingsriemen **37** (Fig. **G**). Span de riemen voldoende aan en controleer dat ze correct werden aangebracht. correct werd aangebracht.

- 16) Herhaal de handelingen **15**) voor de tweede en derde fiets (indien gewenst). De tweede en derde fiets worden bevestigd aan de bevestigingsboog **31** met behulp van de bevestigingsarmen **15/16** (Fig. **H1**) de vierde fiets wordt bevestigd aan de derde fiets met behulp van de bevestigingsarm **41** (Fig. **H2**). **BELANGRIJK:** Voor extra veiligheid wordt bij de fietsenhouder een extra riem **38** bijgeleverd, voor bevestiging van alle fietsen aan de bevestigingsboog **31**. Span de riem voldoende aan en controleer dat hij correct werd aangebracht.

SCHUINE STAND VAN DE FIETSENHOUDER (Fig. I/L/M)

- 17) Om de fietsenhouder schuin af te stellen moet u hem met één hand opheffen en met de andere hand aan de stelhaak **5** trekken (Fig. **I/L**). Om letsels en schade te vermijden wordt de bijstand van een tweede persoon vereist tijdens de afstelling van de schuine stand van de fietsenhouder. Voor sluiting moet u de fietsenhouder zover opheffen totdat de stelhaak **5** op een veilige wijze geblokkeerd wordt in de transportstand (Fig. **M**).

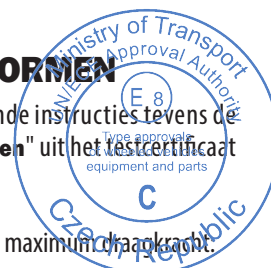
OPGELET - VEILIGHEIDSNORMEN

Wij verzoeken u om buiten de onderstaande instructies tevens de "Conditie, tips en gebruiksbeperkingen" uit het testcertificaat voor CE-homologatie te respecteren.

- Eigen gewicht van "SIENA" fietsenhouder en maximum draagkracht.

- * Model **668** (10,85 kg.) - **669** (10,65 kg.) ---> 2 fietsen, max. draagkracht 34 kg.
- * Model **668/3** (13,56 kg.) - **669/3** (13,33 kg.) ---> 3 fietsen, max. draagkracht 51 kg.
- * Model **668/4** (15,93 kg.) ---> 4 fietsen, max. draagkracht 60 kg.

- De maximum toegelaten draagkracht van de geïnstalleerde trekhaak mag nooit worden overschreden. Het totaal gewicht van de fietsenhouder en diens lading mag nooit hoger zijn dan de maximum toegelaten draagkracht. Hou het oppervlak van de bol van de trekhaak schoon: verwijder vuil en olieresten indien aanwezig.
- De bestuurder is steeds verantwoordelijk voor de getransporteerde lading en moet dus op regelmatige tijdstippen de correcte bevestiging controleren, zowel op het vertrek als tijdens de reis.
- De bestuurder is steeds verantwoordelijk voor de getransporteerde lading en moet dus op regelmatige tijdstippen de correcte bevestiging controleren, zowel op het vertrek als tijdens de reis.
- Raadpleeg de handleiding van het voertuig om de maximale belasting op de achteras te kennen.
- Controleer de waarde **D** (maximale draagkracht) van de trekhaak vermeld door de fabrikant van het voertuig of van de trekhaak; de waarde **D** van de trekhaak moet groter dan of gelijk zijn aan (**760 Kg**) **7,6 KN**; voor oudere trekhaken staat vaak enkel de last vermeld toegelaten voor de haak **G_A** en de totale last toegelaten voor het voertuig **G_K**, en niet de waarde **D**. In dit geval kan u de waarde **D** als volgt berekenen uit de waarden vermeld in het onderhoudsboekje van het voertuig of op het inschrijvingsbewijs:



$$D = \frac{9,81}{1000} \times \frac{(G_A \times G_K)}{(G_A + G_K)}$$

(D in [kN] / G_A in [kg] / G_K in [kg])

- Ver wijder vóór het transport kinderstoeltjes, fietsmandjes, regenschermen of enige andere accessoires die zouden kunnen loskomen van de fiets of de aerodynamische weerstand zouden kunnen verhogen.
- Het aantal getransporteerde fietsen mag niet hoger zijn dan het voorziene aantal dat vermeld wordt voor het aangekochte model.
- Fietsonderdelen, zoals het stuur of de pedalen, mogen niet in de gebruiksstand staan, maar moeten geplooid worden zodat ze niet uitsteken en gevaarlijk zijn.
- Controleer dat de fietsenhouder correct werd gemonteerd op de trekhaak en dat de fietsen werden bevestigd volgens de geleverde instructies. Respecteer steeds de snelheidslimieten opgelegd door de wegcode. Let op de condities van het wegdek en vermijd schokken.
- De fietsenhouder is uitsluitend bestemd voor het transport van fietsen.
- Controleer alvorens te vertrekken dat de achterlichten perfect werken. Controleer in het bijzonder de werking van de richtingaanwijzers.
- De aansluitingen (stekker voor verlichting en stopcontact op voertuig) moeten rein blijven. Maak ze schoon met geschikte middelen indien nodig.
- U mag de fietsenhouder niet gebruiken en/of bevestigen aan het voertuig zonder eerst de elektrische aansluitingen te hebben volbracht.
- Controleer dat de elektrische bedrading niet beschadigd is of kan worden door interferentie met andere onderdelen van het voertuig, of op enige wijze per ongeluk kunnen worden doorgesneden.
- Dompel de verlichting niet onder water.
- Interventies op het elektrisch systeem en aansluitingen, indien vereist, mogen uitsluitend uitgevoerd worden door gespecialiseerd personeel.
- Maak een kopij van het kenteken en breng dit aan op de fietsenhouder met trekhaak.
- Denk eraan dat bij gebruik van de fietsenhouder met trekhaak de afmetingen van het voertuig achteraan gewijzigd zijn. Wees dus zeer voorzichtig tijdens het achteruitrijden en parkeren en denk eraan dat het voertuig langer is, denk eraan dat het gewicht van de fietsen, geladen op de fietsenhouder, het rijgedrag van het voertuig wijzigt bij aanwezigheid van zijwind, tijdens het remmen en in bochten. Respecteer steeds de snelheidslimieten opgelegd door de wegcode. Let op de condities van het wegdek en vermijd schokken.
- Indien de zichtbaarheid achteraan belemmerd is, moet u extra achteruitkijkspiegeltjes aanbrengen op het voertuig voor meer veiligheid.
- Indien de koffer voorzien is van een automatisch openingsmechanisme, moet u deze functie met de uiterste zorg gebruiken.
- Indien de zichtbaarheid achteraan belemmerd is, moet u extra achteruitkijkspiegeltjes aanbrengen op het voertuig voor meer veiligheid.
- Wanneer er een aanhangsysteem wordt aangebracht achter het voertuig, worden de achterlichten van de auto volledig of gedeeltelijk verduisterd. Daarom werd de fietsenhouder die u heeft aangekocht uitgerust met een extra systeem voor verlichting en aanbrenging van de kentekenplaat. Het aantal en soort lichten is afhankelijk van de datum voor eerste inschrijving van het voertuig:

INSCHRIJVING VOOR 01.01.1987	INSCHRIJVING TUSSEN 01.01.1987 EN 31.12.1990
De werking van de mist- en achteruitrijlichten is niet verplicht op de fietsenhouder met trekhaak.	De werking van de mistlichten is niet verplicht, maar die van de achteruitrijlichten van de fietsenhouder met trekhaak is wel verplicht.
Het gebruik van een 7-polige stekker is toegelaten.	Het gebruik van de 7-polige stekker is toegelaten. Wanneer de stekker incompatibel is met het contact, gebruik dan de specifieke adapters verkrijgbaar op de markt.
INSCHRIJVING NA 01.01.1991	INSCHRIJVING NA 01.01.1998
Alle lichten op de fietsenhouder met trekhaak moeten werkzaam zijn. Mist- en achteruitrijlichten zijn verplicht.	De fietsenhouder met trekhaak mag de derde stoplichten van het voertuig niet bedekken. Het derde stoplicht moet zichtbaar zijn. Indien dit niet het geval is, moet het herhaald worden op de fietsenhouder met trekhaak.
Het is verplicht een relais of elektrisch contact met onderbrekings mechanisme te gebruiken dat verzekert dat de mistlichten van het voertuig automatisch worden uitgeschakeld bij gebruik van de trekhaak en terug worden aangeschakeld wanneer de stekker terug wordt uitgetrokken (enkel de 13-polige stekker voldoet hieraan).	

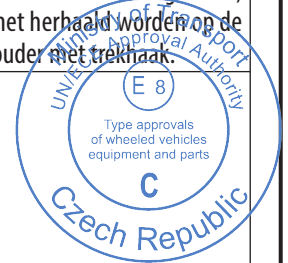
- Indien de last voor meer dan 40 cm buiten het oppervlak van de verlichting van de fietsenhouder met trekhaak uitsteekt, breng dan een waarschuwingsbord aan.
- Controleer vóór vertrek, na een kort rijtraject en vervolgens op regelmatige tijdstippen alle bevestigingselementen van de fietsenhouder.
- Let extra op tijdens het achteruitrijden en parkeren. De totale lengte is door de fietsenhouder langer geworden.
- Controleer dat de afstand tussen de fietsenhouder/fietsen en de uitlaat/uitlaten van het voertuig correct is, om schade door oververhitting te vermijden.
- Demonteer de fietsenhouder wanneer hij niet wordt gebruikt. Zo rijdt u veiliger en zuiniger.
- Het is verboden wijzigingen aan te brengen op de fietsenhouder en zijn onderdelen. Beschadigde of versleten onderdelen moeten onmiddellijk worden vervangen door originele vervangstukken.
- Maak de fietsenhouder schoon met lauwwater en/of een reinigingsmiddel geschikt voor auto's. Berg de fietsenhouder op een plek met matige temperatuur en beschermd tegen vochtigheid.

De fabrikant is niet verantwoordelijk voor schade berokkend door een verkeerd gebruik van dit product, noch voor mogelijke betwisting door de bevoegde autoriteiten ten gevolge van strijdigheid met de verkeersregels.
De fabrikant is enkel verantwoordelijk voor fabricagefouten van de fietsenhouder en zijn accessoires.

HET HOMOLOGATIECERTIFICAAT KAN U DOWNLOADEN OP ONZE

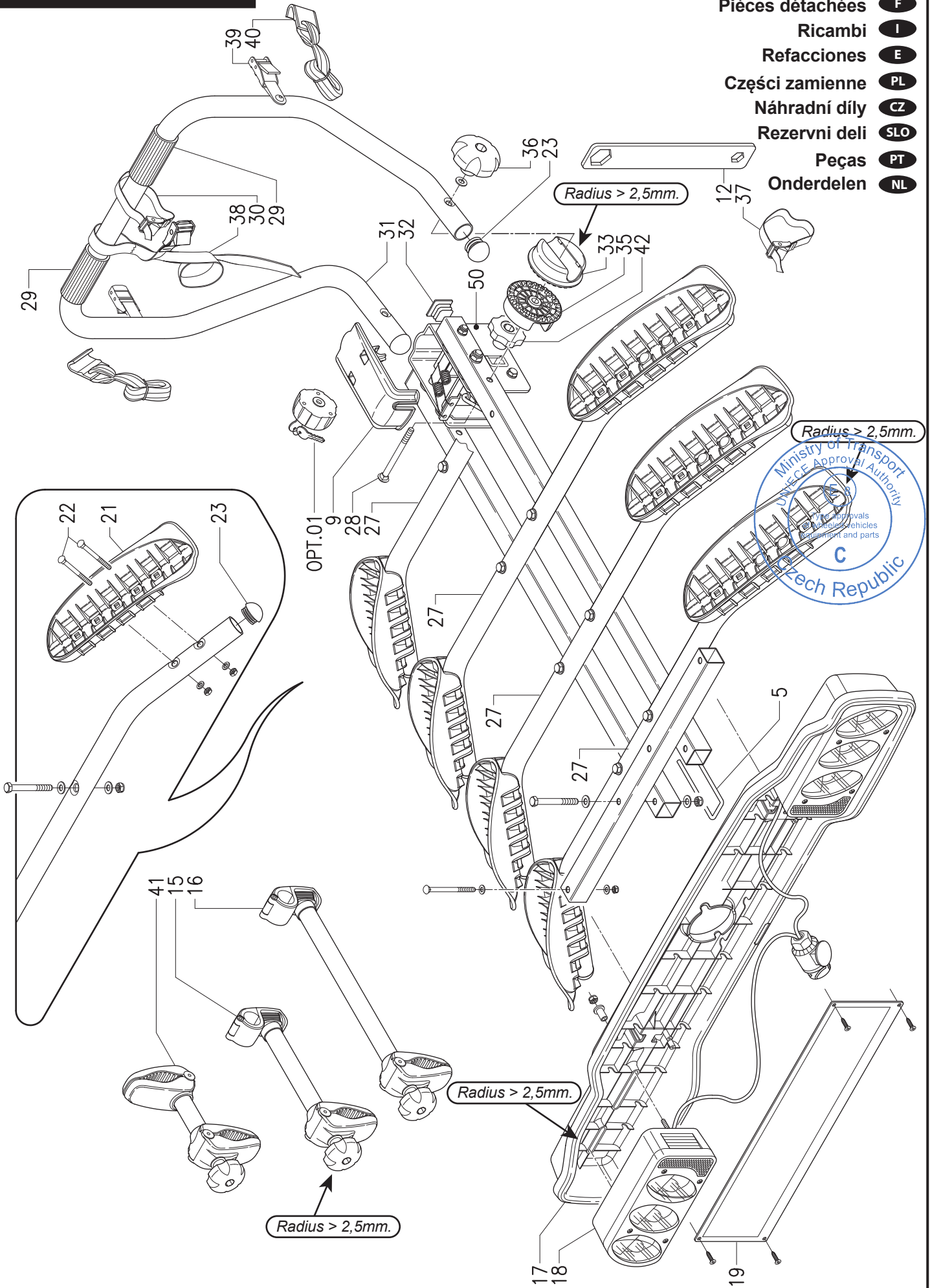
www.peruzzosrl.com

IN DE TECHNISCHE KAART VAN HET PRODUCT.

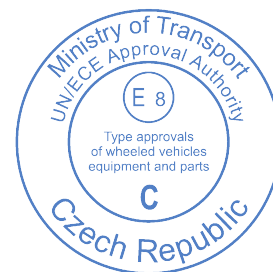


Art. 668 - 668/3 - 668/4
669 - 669/3

- Spare parts **GB**
- Ersatzteile **D**
- Pièces détachées **F**
- Ricambi **I**
- Refacciones **E**
- Części zamienne **PL**
- Náhradní díly **CZ**
- Rezervni deli **SLO**
- Peças **PT**
- Onderdelen **NL**



POS.	CODE	Quantity art.668/4 models for 4 bikes (folding)	Quantity art.668/3 models for 3 bikes (folding)	Quantity art.668 models for 2 bikes (folding)	Quantity art.669/3 models for 3 bikes (fixed)	Quantity art.669 models for 2 bikes (fixed)	GB NAME	D BEZEICHNUNG	F NOM	I DENOMINAZIONE	PT DENOMINAÇÃO
1	OPT.01	1	1	1	1	1	Keyed knob	Kugelgriff mit Schlüssel	Bouton avec clé	Pomello con chiave	Maoseira com chave
5	668/4.005	1	1	1	-	-	Tilt hook	Schrägstellhaken	Crochet d'inclinaison	Gancio inclinazione	Gancho inclinação
9	668/4.009	1	1	1	1	1	Cover for block	Deckel für Block	Couvercle pour bloc	Coperchio per blocco	Tampa para bloco
12	668/4.012	1	1	1	1	1	Wrench M14	Schlüssel M14	Clé M14	Chiave M14	Chave M14
15	668/4.015	1	1	1	1	1	Medium arm	Arm mittel	Bras moyen	Braccetto medio	Braco medio
16	668/4.016	1	1	1	-	-	Long arm	Arm lang	Bras long	Braccetto lungo	Braco longo
17	668/4.017	1	1	1	1	1	Light bar	Scheinwerferstange	Barre des feux	Barra portafaróis	Barra portafaróis
18	668/4.018	1	1	1	1	1	Lights with wire and plug 13 pin	Scheinwerfer mit Kabel und Stecker 13-polig	Feux avec fil et fiche 13 broches	Fanali con cavo e spina 13 poli	Faróis con cavo e ficha 13 polos
19	668/4.019	1	1	1	1	1	Number plate frame	Kennzeichenhalter	Support de plaque	Portafariga	Porta matrícula
21	668/4.021	8	6	4	6	4	Wheel cradle	Radaufnahme	Logement de la roue	Alloggiamento ruota	Incaixe roda
22	668/4.022	16	12	8	12	8	Round head screw	Rundkopfschraube	Vis à tête ronde	Vis a tête tonda	Parafuso cabeça redonda
23	668/4.023	10	8	6	8	6	Cap Ø 30	Stopfen Ø 30	Bouchon Ø 30	Tappo Ø 30	Rolha Ø 30
27	668/4.027	4	3	2	3	2	Bike carrier bar	Tragbügel	Montant porteur	Arco portante	Arco portante
28	668/4.028	2	2	2	2	2	Round head screw with retainers	Rundkopfschraube mit Sicherungslamellen	Vis à tête ronde avec lamelles de blocage	Vis a tête tonda con nicchie	Parafuso cabeça redonda con incaixes
29	668/4.029	2	2	2	2	2	Foam tube	Rohrförmiger Schwamm	Tube en mousse	Spugna tubolare	Esponja tubolar
31	668/4.031	1	1	1	1	1	Bike fixing arch	Befestigungsbügel	Montant de fixation	Arco di fissaggio	Arco de fixagem
32	668/4.032	2	2	2	2	2	Square cap	Vierkantstopfen	Bouchon carré	Tappo quadrato	Rolha quadrada
33	668/4.033	2	2	2	2	2	Adjustment element for round tube	Einstellelement für Rundrohr	Élément de réglage pour tube rond	Ruota di regolazione per tubo tondo	Roda de regulação para tubo redondo
35	668/4.035	2	2	2	2	2	Adjustment element for round tube	Einstellelement für Vierkantröhre	Élément de réglage pour tube carré	Ruota di regolazione per tubo quadro	Roda de regulação para tubo quadrado
36	668/4.036	2	2	2	2	2	Knob M8	Kugelgriff M8	Bouton M8	Pomello M8	Maoseira M8
30/37	668/4.037	9	7	5	7	5	Short belt	Kurzriemen	Sangle courte	Cinghia corta	Correia curta
38	668/4.038	1	1	1	1	1	Long belt	Langriemen	Sangle longue	Cinghia lunga	Correia longa
39	668/4.039	2	-	-	-	-	Buckle with screws	Schnalle mit Schrauben	Boucle avec vis	Fibbia con viti	Fivela con parafusos
40	668/4.040	2	-	-	-	-	Strap with hook	Riemen mit Haken	Sangle avec crochet	Cinghia con gancio	Correia con ganchos
41	668/4.041	1	-	-	-	-	Third-fourth bike connection arm	Verbindungsarm drittes-viertes Fahrrad	Bras de liaison troisième-quatrième vélo	Braccetto terzo-quarta bici	Bracinho 3a - 4a bici (bicicleta)
42	668/4.042	2	2	2	2	2	Knob M8	Kugelgriff M8	Bouton M8	Pomello M8	Maoseira M8
50		1	1	1	1	1	Mounting block	Befestigungsblock	Bloc de fixation	Blocco di fissaggio	Bloco de fixagem



POS.	CODE	Quantity art.668/4 models for 4 bikes (folding)	Quantity art.668/3 models for 3 bikes (folding)	Quantity art.668/2 models for 2 bikes (fixed)	Quantity art.668/3 models for 3 bikes (fixed)	Quantity art.669/3 models for 2 bikes (fixed)	DENOMINACIÓN	PL OPIS	CZ POZ.	SLO NAZIV	NL VERVANGSTUKKEN
1	OPT.01	1	1	1	1	1	Pomo con llave	Pokreťo z kluczem	Rukojet s klíčem	Držalo s ključem	Draaknop met sleutel
5	668/4.005	1	1	1	-	-	Gancho inclinación	Uchwyty odchylajcy	Táhlno sklápěcího mechanismu	Kavelj za nagibanje	Slethaak
9	668/4.009	1	1	1	1	1	Tapa de bloqueo	Pokryva blokadny	Kryt pro uplnaci mechanismus	Pokrov za blok	Dekse voor blok
12	668/4.012	1	1	1	1	1	Llave M14	Klucz M14	Klíč M14	Ključ M14	Sleutel M14
15	668/4.015	1	1	1	1	1	Brazo medio	Drážek středni	Sředně dlouhy držák	Dolga ročica	Middellange arm
16	668/4.016	1	1	1	1	1	Brazo largo	Drážek dlugi	Dlouhy držák	Dolga ročica	Lange arm
17	668/4.017	1	1	1	1	1	Barra portafaros	Belka nošna světel	Drážek středni	Nosilec lidí	Lichtstang
18	668/4.018	1	1	1	1	1	Faros con cable y clavija de 13 polos	Swiatla z przewodem i wtyczka 13-stykowa	Držák na světlá	Luči s kablom in 13 polni vilkač	Achterlichten met bedrading en 13-polige stekker
19	668/4.019	8	6	4	1	1	Portamantecilla	Ramka na tablice registracjny	Držák na svietla	Nosilec za tablicu	Kentekenplaatsteun
21	668/4.021	8	6	4	6	4	Aljamiento rueda	Uchwyty dla kola	Rám poznávací značky	Nosilec za kolo	Wielsteunen
22	668/4.022	16	12	8	12	8	Tornillo de cabeza redonda	Šroub z ítem okrajghym	Uložná plocha kola	Ležišče za kolo	Schroef met ronde kop
23	668/4.023	4	8	6	8	6	Tapón Ø 30	Korek Ø 30	Šroub Ø 30	Čep Ø 30	Dop. Ø 30
27	668/4.027	4	3	2	3	2	Arco portante	Poręcz nošna	Uzávěr Ø 30	Nesilni lok	Dragboog
28	668/4.028	2	2	2	2	2	Tornillo redondo con lengüetas de bloqueo	šroub z ítem okrajghym i plytkami zabezpečzajjnymi	Šroub s pulkuloovou hlavou	Vijk z okroglo glavo in zavarovanimi ploščicami	Schroef met ronde kop met lamellen
29	668/4.029	2	2	2	2	2	Española tubular	Gapka odhromna	Pěnová trubice	Zaščitna gobica	Mousse buis
31	668/4.031	1	1	1	1	1	Arco de fijación	Poręcz mocujjca	Uplnaci rám	Přitrdilni lok	Bevestigingsboog
32	668/4.032	2	2	2	2	2	Tapón cuadrado	Korek kvadrátový	Cyfrhanný uzávěr	Kvadrátní šep	Vierkante dop
33	668/4.033	2	2	2	2	2	Elemento de regulación para tubo redondo	Tarza regulacjny dia rury okrajglej	Kuliat seřizovací kolo	Kolešček za reguliranje za okroglo cev	Sleutelje voor ronde buis
35	668/4.035	2	2	2	2	2	Elemento de regulación para tubo cuadrado	Tarza regulacjny dia rury kvadrátowej	Kolešček za seřizovací kolo	Kolešček za reguliranje za kvadrátno cev	Sleutelje voor vierkante buis
36	668/4.036	2	2	2	2	2	Pomo M8	Pokreťo M8	Rukojet M8	Držalo M8	Draaknop M8
30/37	668/4.037	7	7	5	7	5	Correa corta	Pas krótki	Krátký pásek	Dolg jermen	Korte riem
38	668/4.038	1	1	1	1	1	Correa larga	Pas dlugi	Dlouhy pásek	Zapanka z vijaki	Lange riem
39	668/4.039	2	-	-	-	-	Hebilla con tornillos	Klamra ze šrubami	Spona se šrouby	Jermen s kvijlem	Gesp met schroeven
40	668/4.040	2	-	-	-	-	Correa con gancho	Pas z zaczepem	Popruh s hákem	Riem met haak	Riem met haak
41	668/4.041	1	-	-	-	-	Brazo tercera-cuarta bielsidela	Drážek do poľázenia trzeciego roweru z czwartym	Držák třetího / čtvrtého jízdního kola	Rocica za tretje-četrto kolo	Riem derde-veerde fiets
42	668/4.042	1	2	2	2	2	Pomo M8	Pokreťo M8	Rukojet M8	Držalo M8	Draaknop M8
50		1	1	1	1	1	Bloqueo de fijación	Blokada mocujjca	Uplnaci mechanismus	Přitrdilni blok	Bevestigingsblok

